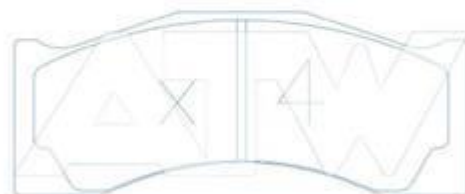
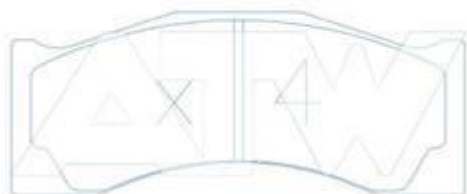




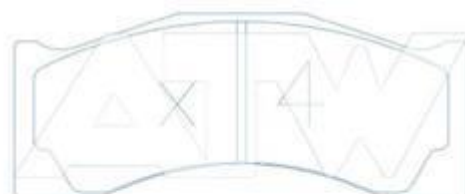
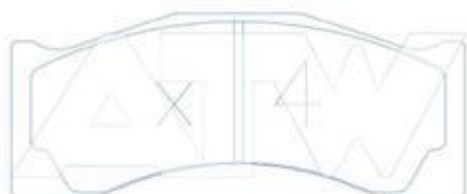
DISEGNI PASTIGLIE FRENO
BRAKE PADS DRAWINGS
DESSINS PLAQUETTES DE FREINS
FIGURA PASTILLAS DE FRENO
BREMSBELAG-ZEICHNUNGEN



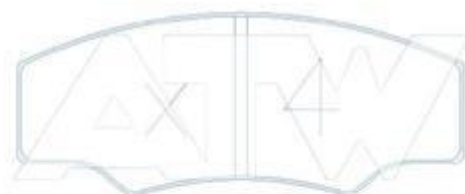
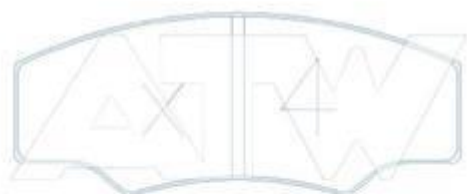
Codice - Code **ATW0295** Mescola - Compound **HP** L: 163,6 mm H: 66,2 mm TH: 18 mm Codice - Code **ATW0295** Mescola - Compound **RC** L: 163,6 mm H: 66,2 mm TH: 18 mm



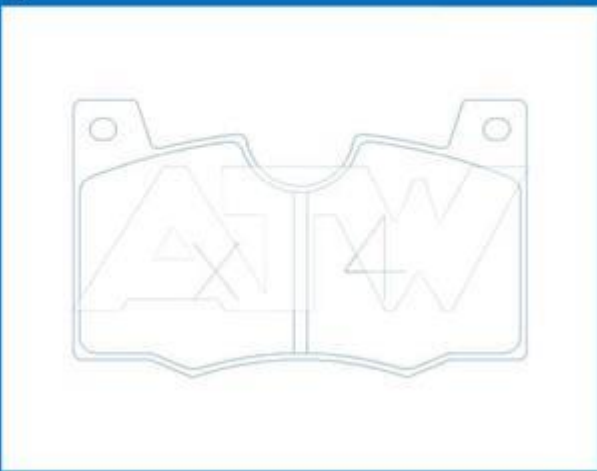
Codice - Code **ATW0296** Mescola - Compound **HP** L: 163,6 mm H: 66,2 mm TH: 28 mm Codice - Code **ATW0296** Mescola - Compound **RC** L: 163,6 mm H: 66,2 mm TH: 28 mm



Codice - Code **ATW0297** Mescola - Compound **HP** L: 113,4 mm H: 46,7 mm TH: 16 mm Codice - Code **ATW0297** Mescola - Compound **RC** L: 113,4 mm H: 46,7 mm TH: 16 mm



Codice - Code **ATW0298** Miscola - Compound **HP** L: 107,6 mm H: 65,4 mm TH: 15 mm Codice - Code **ATW0298** Miscola - Compound **RC** L: 107,6 mm H: 65,4 mm TH: 15 mm



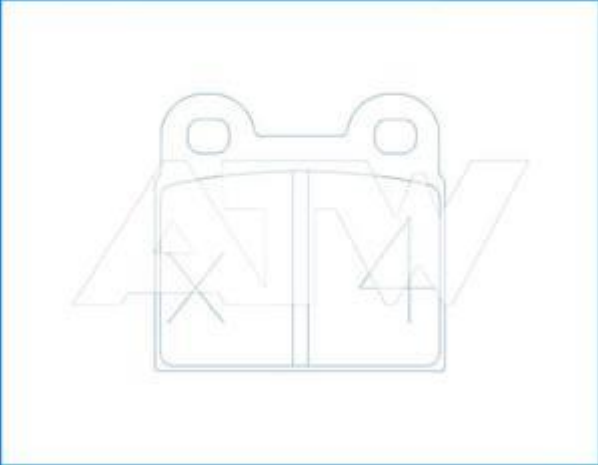
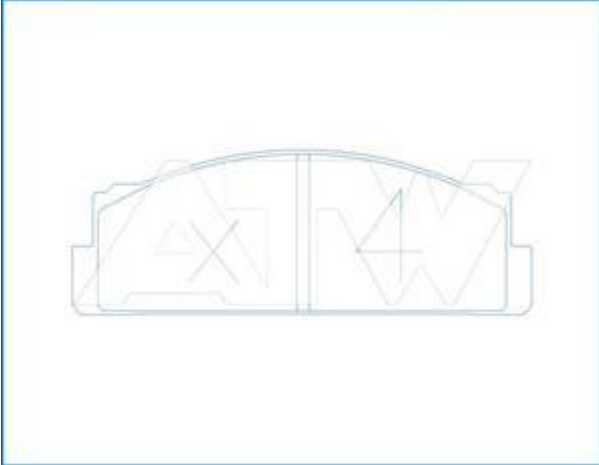
Codice - Code **ATW0299** Miscola - Compound **HP** L: 98,2 mm H: 67,6 mm TH: 16 mm Codice - Code **ATW0299** Miscola - Compound **RC** L: 98,2 mm H: 67,6 mm TH: 16 mm



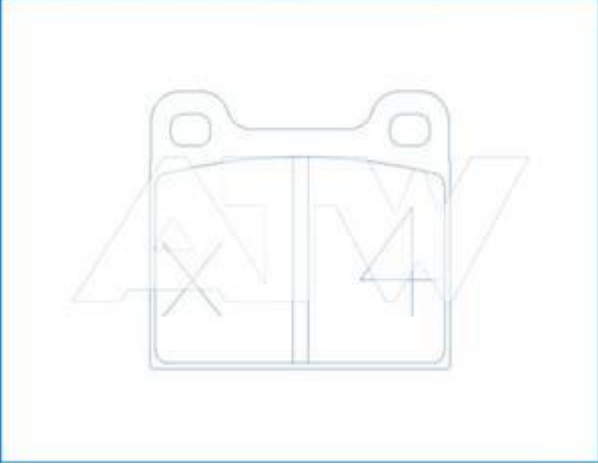
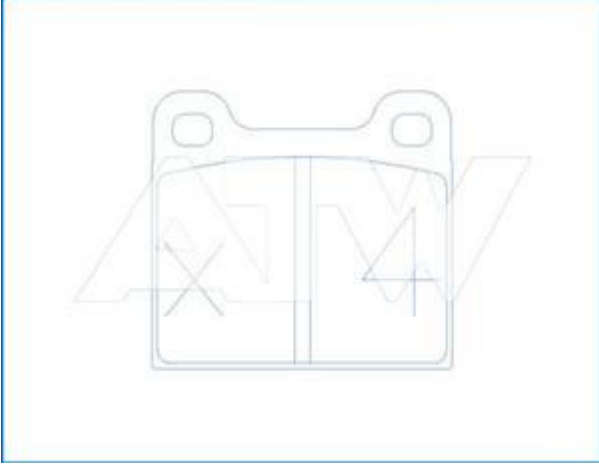
Codice - Code **ATW0300** Miscola - Compound **HP** L: 98,2 mm H: 67,6 mm TH: 19 mm Codice - Code **ATW0300** Miscola - Compound **RC** L: 98,2 mm H: 67,6 mm TH: 19 mm



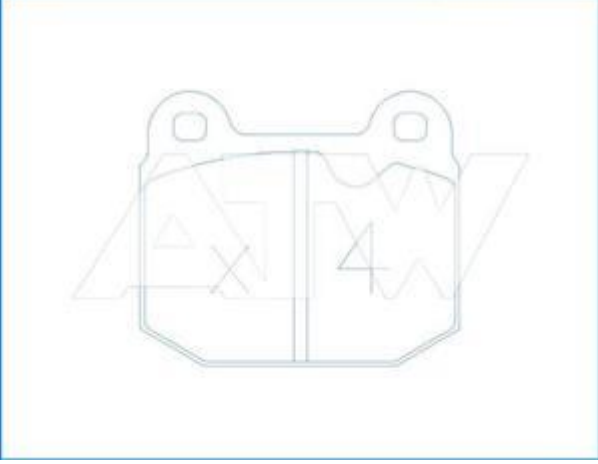
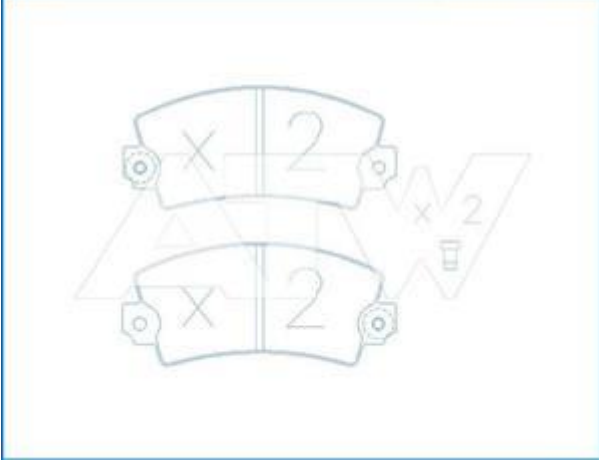
<p>Codice - Code ATW0001</p> <p>Miscela - Compound HP</p> <p>L: 109 mm H: 39 mm TH: 17,5 mm</p>	<p>Codice - Code ATW0002</p> <p>Miscela - Compound HP</p> <p>L: 55,8 mm H: 53 mm TH: 15 mm</p>
---	--



<p>Codice - Code ATW0003</p> <p>Miscela - Compound HP</p> <p>L: 61,8 mm H: 56,5 mm TH: 15 mm</p>	<p>Codice - Code ATW0003</p> <p>Miscela - Compound RC</p> <p>L: 61,8 mm H: 56,5 mm TH: 15 mm</p>
--	--



<p>Codice - Code ATW0004</p> <p>Miscela - Compound HP</p> <p>L: 109 mm H: 49 mm TH: 15 mm</p>	<p>Codice - Code ATW0005</p> <p>Miscela - Compound HP</p> <p>L: 76,8 mm H: 65,7 mm TH: 16,5 mm</p>
---	--



Codice - Code

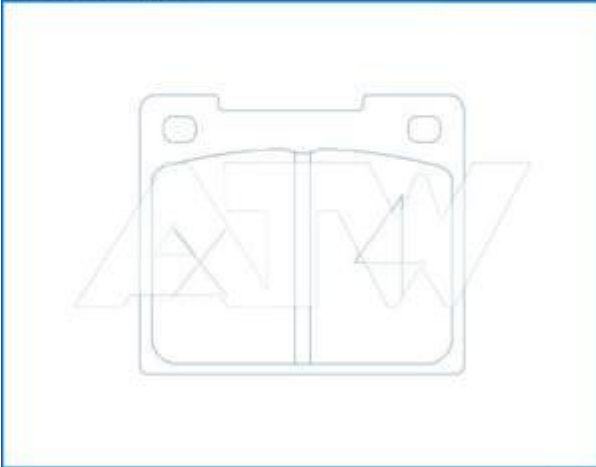
ATW0009

Miscela - Compound

RC

L: 63,5 mm
H: 54,8 mm
TH: 14,5 mm

ATTENZIONE: PERICOLO DI ESPLOSIONE. LEGGERE IL MANUALE D'USO.



Codice - Code

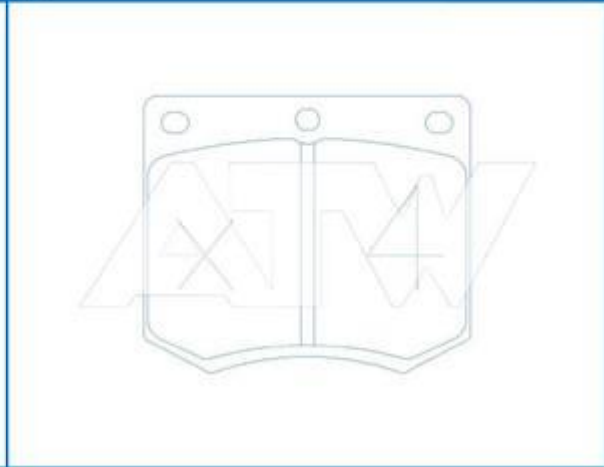
ATW0010

Miscela - Compound

HP

L: 78,2 mm
H: 66,1 mm
TH: 15 mm

PERICOLO



Codice - Code

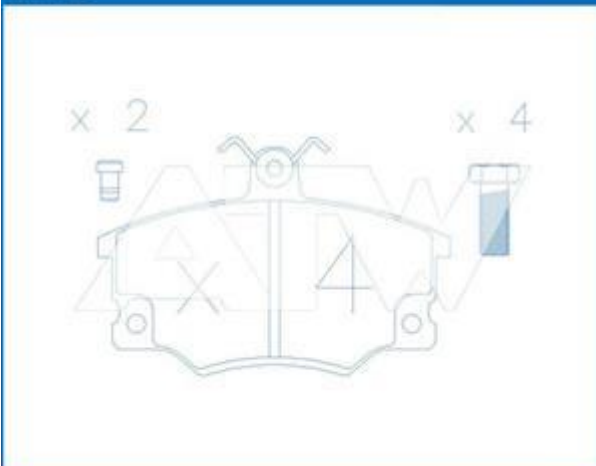
ATW0011

Miscela - Compound

HP

L: 104 mm
H: 67 mm
TH: 17,5 mm

PERICOLO



Codice - Code

ATW0012

Miscela - Compound

HP

L: 109 mm
H: 47,5 mm
TH: 18 mm

PERICOLO



Codice - Code

ATW0013

Miscela - Compound

HP

L: 105,1 mm
H: 54,1 mm
TH: 18 mm

ATTENZIONE



Codice - Code

ATW0013

Miscela - Compound

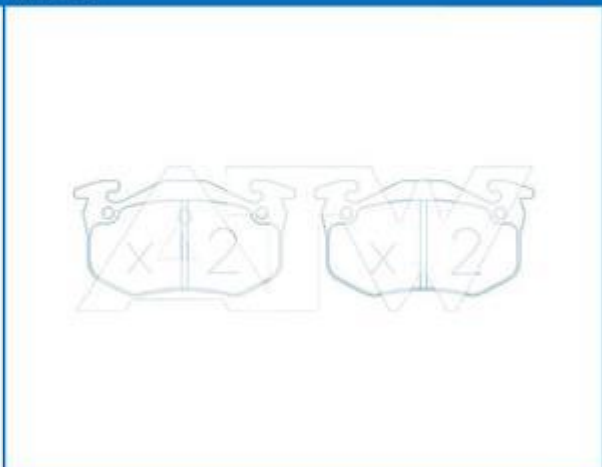
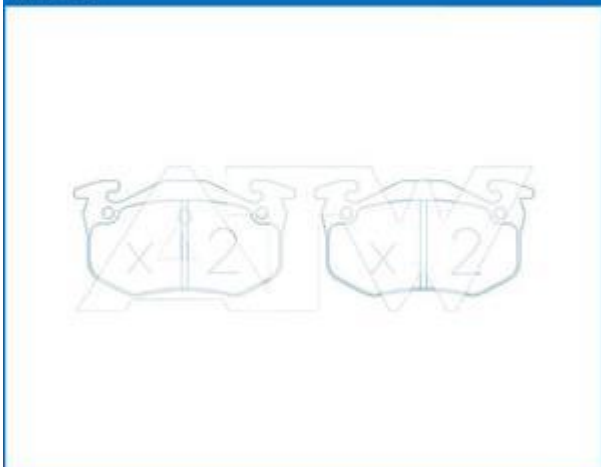
RC

L: 105,1 mm
H: 54,1 mm
TH: 18 mm

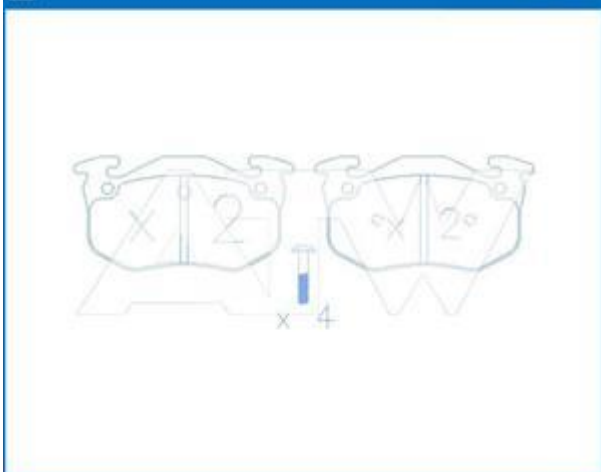
ATTENZIONE



<p>Codice - Code ATW0014</p> <p>Miscela - Compound HP</p> <p>L: 105,1 mm H: 55 mm TH: 11 mm</p>	<p>Codice - Code ATW0014</p> <p>Miscela - Compound RC</p> <p>L: 105,1 mm H: 55 mm TH: 11 mm</p>
---	---



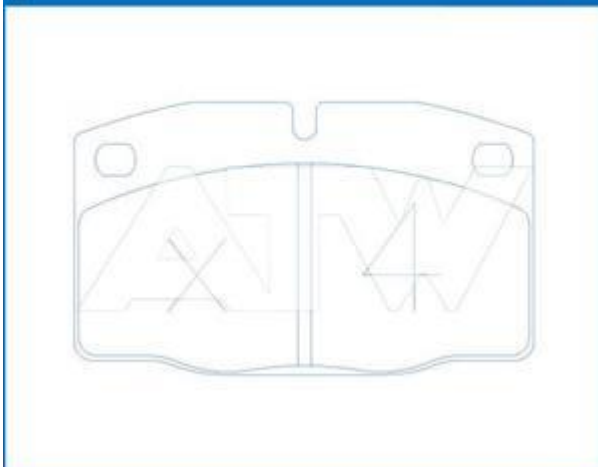
<p>Codice - Code ATW0015</p> <p>Miscela - Compound HP</p> <p>L: 105,1 mm H: 55 mm TH: 11 mm</p>	<p>Codice - Code ATW0016</p> <p>Miscela - Compound HP</p> <p>L: 100 mm H: 55 mm TH: 15 mm</p>
---	---



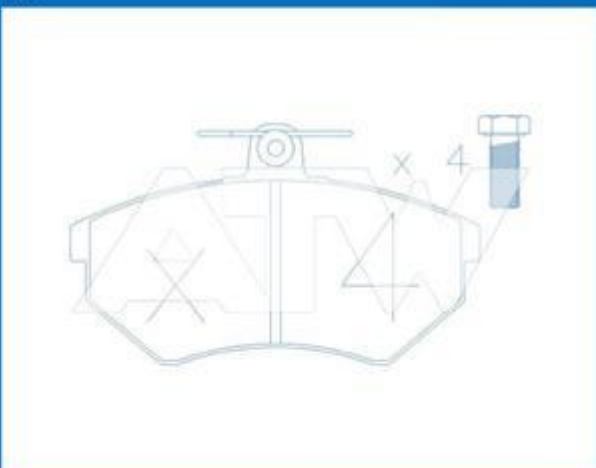
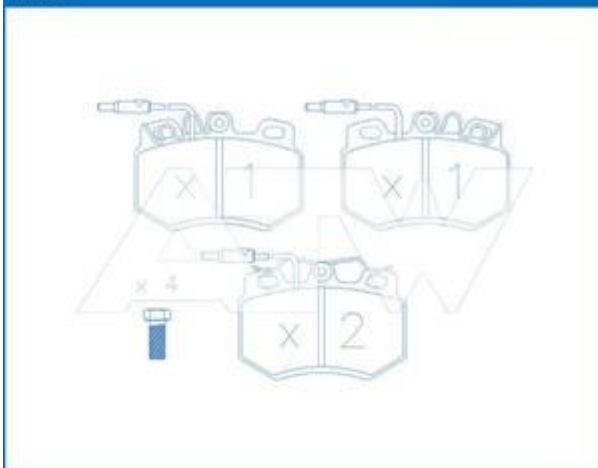
<p>Codice - Code ATW0016</p> <p>Miscela - Compound RC</p> <p>L: 100 mm H: 55 mm TH: 15 mm</p>	<p>Codice - Code ATW0017</p> <p>Miscela - Compound HP</p> <p>L: 94,9 mm H: 52,2 mm TH: 16 mm</p>
---	--



<p>Codice - Code ATW0018</p> <p>Miscela - Compound HP</p> <p>L: 100 mm H: 59,2 mm TH: 15,5 mm</p>	<p>Codice - Code ATW0019</p> <p>Miscela - Compound HP</p> <p>L: 130 mm H: 51,3 / 49,1 mm TH: 15 mm</p>
---	--



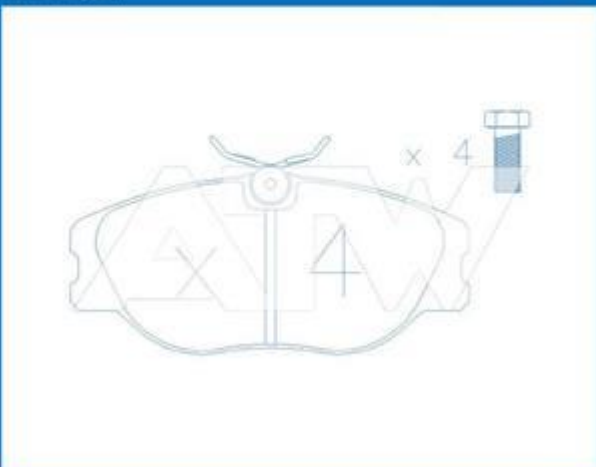
<p>Codice - Code ATW0020</p> <p>Miscela - Compound HP</p> <p>L: 90 mm H: 63 mm TH: 17,5 mm</p>	<p>Codice - Code ATW0021</p> <p>Miscela - Compound HP</p> <p>L: 119 mm H: 69,6 mm TH: 16 mm</p>
--	---



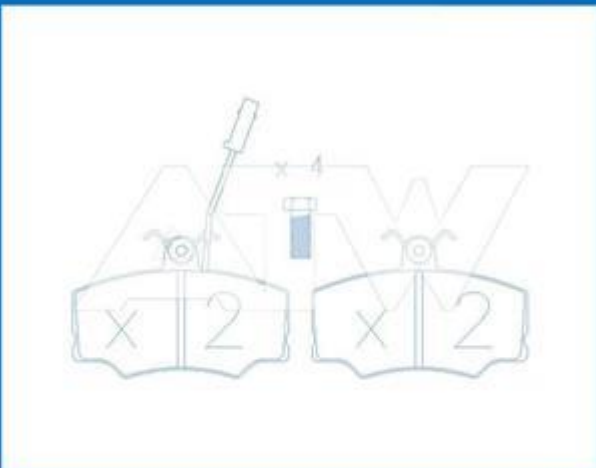
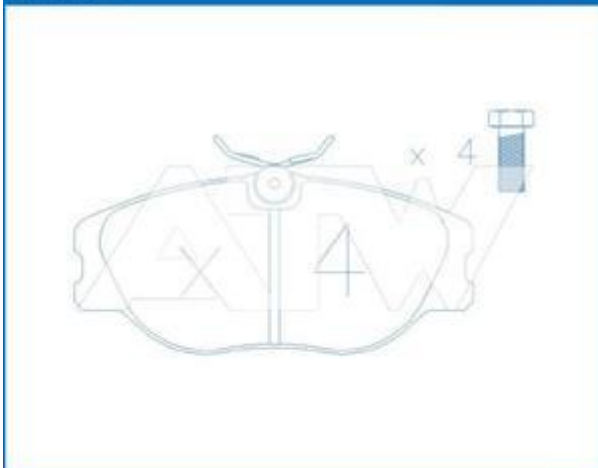
<p>Codice - Code ATW0022</p> <p>Miscela - Compound HP</p> <p>L: 90 mm H: 63,2 mm TH: 17 mm</p>	<p>Codice - Code ATW0022</p> <p>Miscela - Compound RC</p> <p>L: 90 mm H: 63,2 mm TH: 17 mm</p>
--	--



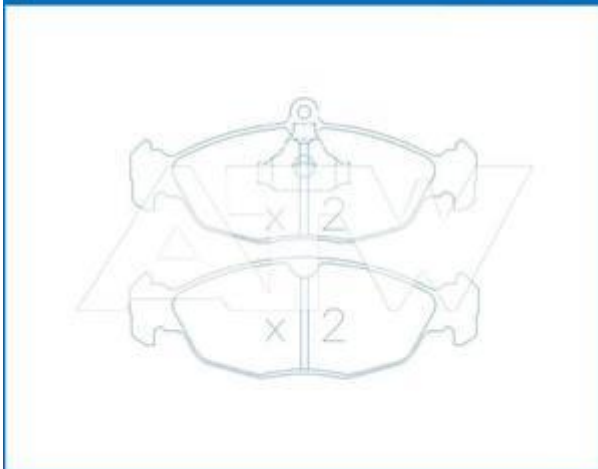
<p>Codice - Code ATW0028</p> <p>Miscela - Compound HP</p> <p>L: 125,1 mm H: 37,7 mm TH: 17 mm</p>	<p>Codice - Code ATW0029</p> <p>Miscela - Compound HP</p> <p>L: 130 mm H: 58,9 mm TH: 19 mm</p>
---	---



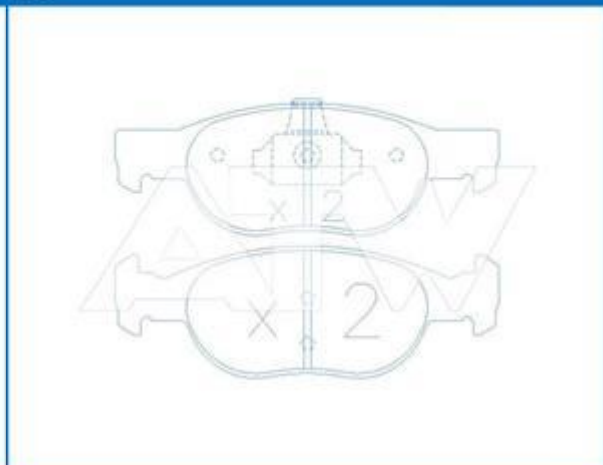
<p>Codice - Code ATW0029</p> <p>Miscela - Compound RC</p> <p>L: 130 mm H: 58,9 mm TH: 19 mm</p>	<p>Codice - Code ATW0030</p> <p>Miscela - Compound HP</p> <p>L: 94,9 mm H: 61,8 mm TH: 17 mm</p>
---	--



<p>Codice - Code ATW0031</p> <p>Miscela - Compound HP</p> <p>L: 141,5 / 140,2 mm H: 48,6 / 58,4 mm TH: 16,5 / 17,0 mm</p>	<p>Codice - Code ATW0031</p> <p>Miscela - Compound RC</p> <p>L: 141,5 / 140,2 mm H: 48,6 / 58,4 mm TH: 16,5 mm</p>
---	--



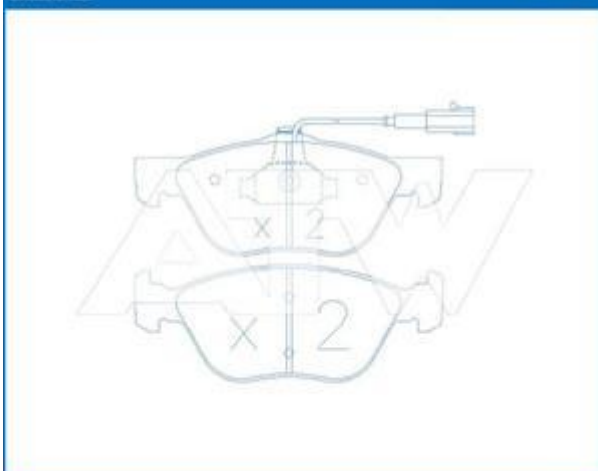
<p>Codice - Code ATW0032</p> <p>Miscela - Compound HP</p> <p>L: 76,8 mm H: 70,2 mm TH: 15 mm</p>	<p>Codice - Code ATW0033</p> <p>Miscela - Compound HP</p> <p>L: 151,3 mm H: 52,1 mm TH: 17,5 mm</p>
--	---



<p>Codice - Code ATW0034</p> <p>Miscela - Compound HP</p> <p>L: 156,3 mm H: 52,7 mm TH: 17,5 mm</p>	<p>Codice - Code ATW0034</p> <p>Miscela - Compound RC</p> <p>L: 156,3 mm H: 52,7 mm TH: 17,5 mm</p>
---	---



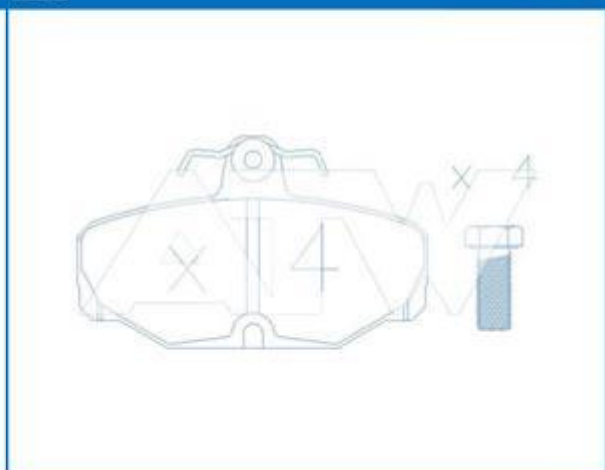
<p>Codice - Code ATW0035</p> <p>Miscela - Compound HP</p> <p>L: 156,5 / 155,3 mm H: 59,1 / 61,9 mm TH: 19 mm</p>	<p>Codice - Code ATW0036</p> <p>Miscela - Compound HP</p> <p>L: 109 mm H: 39 mm TH: 11 mm</p>
--	---



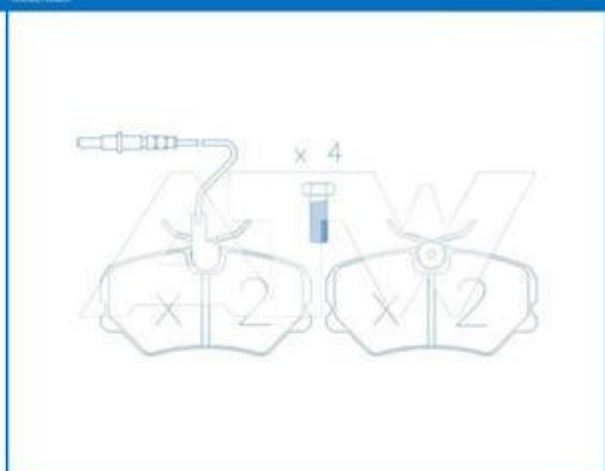
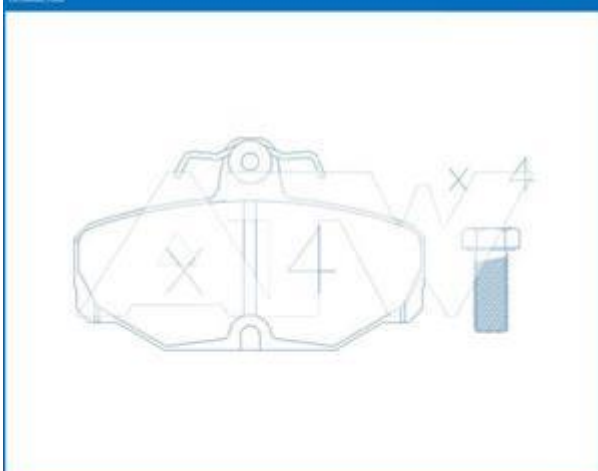
<p>Codice - Code ATW0037</p> <p>Miscela - Compound HP</p> <p>L: 158,5 mm H: 57,2 mm TH: 19,5 mm</p> <p>With internal flanges</p>	<p>Codice - Code ATW0037</p> <p>Miscela - Compound RC</p> <p>L: 158,5 mm H: 57,2 mm TH: 19,5 mm</p> <p>With internal flanges</p>
--	--



<p>Codice - Code ATW0038</p> <p>Miscela - Compound HP</p> <p>L: 151,1 mm H: 46,6 mm TH: 18 mm</p> <p>With flange</p>	<p>Codice - Code ATW0039</p> <p>Miscela - Compound HP</p> <p>L: 90 mm H: 54,2 mm TH: 13,5 mm</p> <p>With flange</p>
--	---



<p>Codice - Code ATW0039</p> <p>Miscela - Compound RC</p> <p>L: 90 mm H: 54,2 mm TH: 13,5 mm</p> <p>With flange</p>	<p>Codice - Code ATW0040</p> <p>Miscela - Compound HP</p> <p>L: 95 mm H: 49 mm TH: 19 mm</p> <p>With flange</p>
---	---

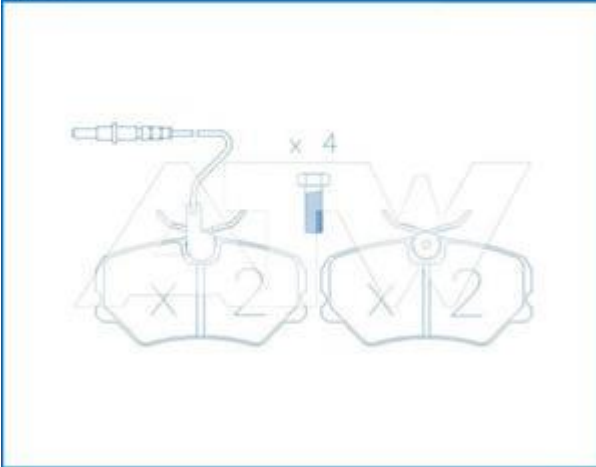


Codice - Code
ATW0040

Miscela - Compound
RC

L: 95 mm
H: 49 mm
TH: 19 mm

Modello - Model

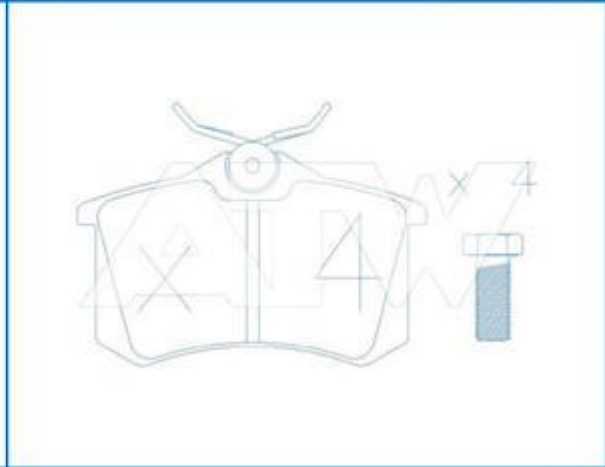


Codice - Code
ATW0041

Miscela - Compound
HP

L: 87,2 mm
H: 53,1 mm
TH: 15 mm

Modello - Model

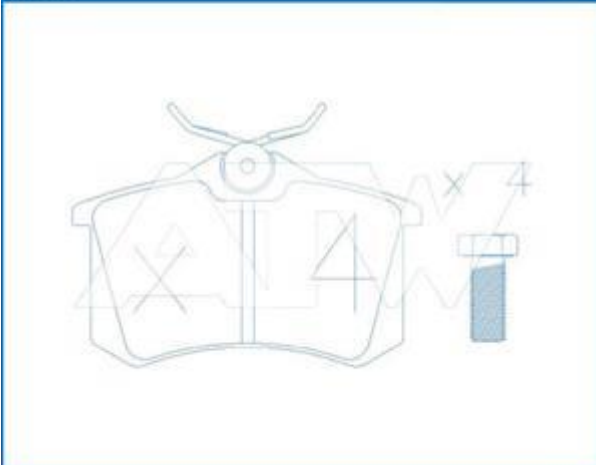


Codice - Code
ATW0041

Miscela - Compound
RC

L: 87,2 mm
H: 53,1 mm
TH: 15 mm

Modello - Model

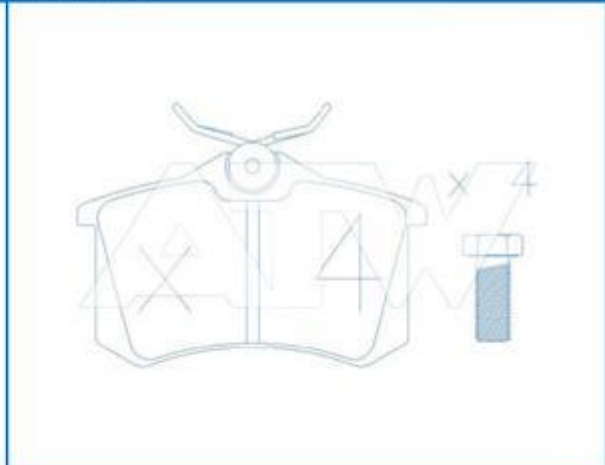


Codice - Code
ATW0042

Miscela - Compound
HP

L: 87,2 mm
H: 53,1 mm
TH: 17 mm

Modello - Model

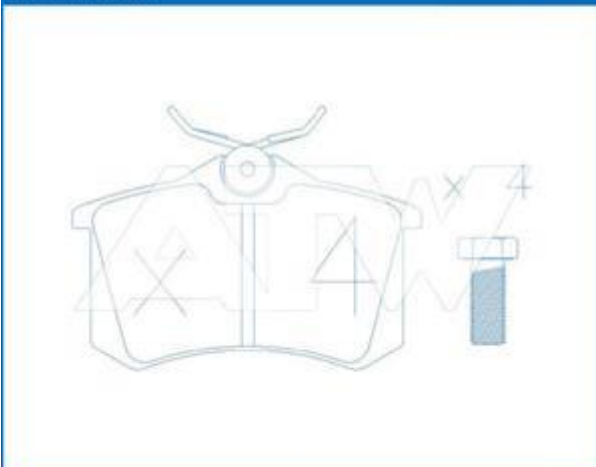


Codice - Code
ATW0042

Miscela - Compound
RC

L: 87,2 mm
H: 53,1 mm
TH: 17 mm

Modello - Model



Codice - Code
ATW0043

Miscela - Compound
HP

L: 87,2 mm
H: 53,1 mm
TH: 16 mm

Modello - Model



Codice - Code ATW0044	Miscela - Compound HP	L: 156,3 / 155,1 mm H: 74,4 mm TH: 19,5 mm	Codice - Code ATW0044	Miscela - Compound RC	L: 156,3 / 155,1 mm H: 74,4 mm TH: 19,5 mm
---------------------------------	---------------------------------	--	---------------------------------	---------------------------------	--

www.vep.it

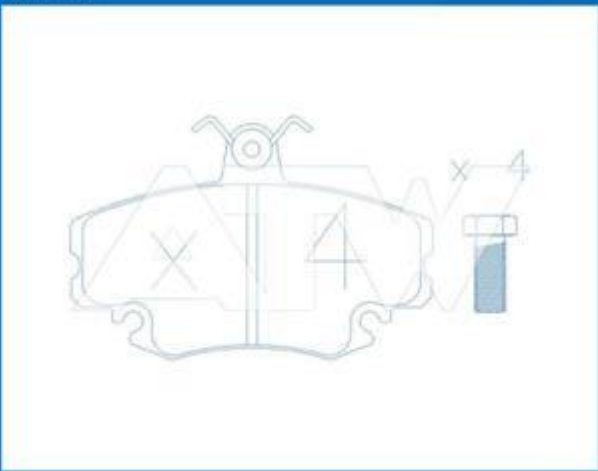
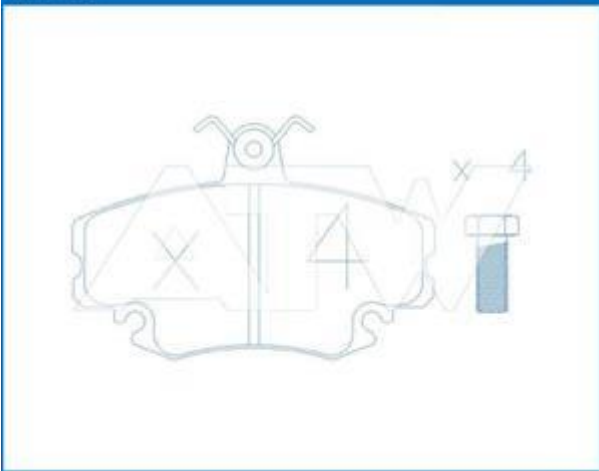
www.vep.it



Codice - Code ATW0045	Miscela - Compound HP	L: 99,7 mm H: 65 mm TH: 18 mm	Codice - Code ATW0045	Miscela - Compound RC	L: 99,7 mm H: 65 mm TH: 18 mm
---------------------------------	---------------------------------	-------------------------------------	---------------------------------	---------------------------------	-------------------------------------

www.vep.it

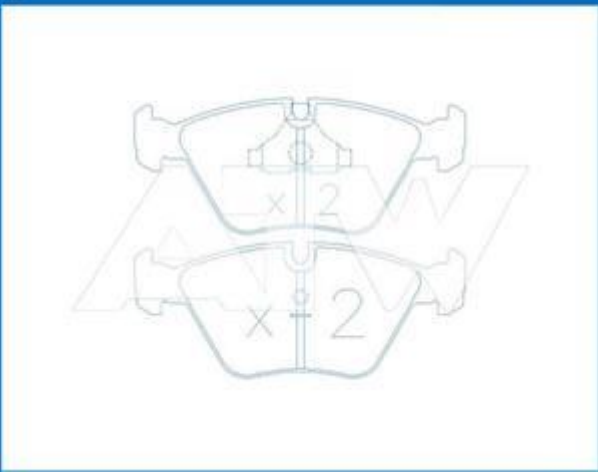
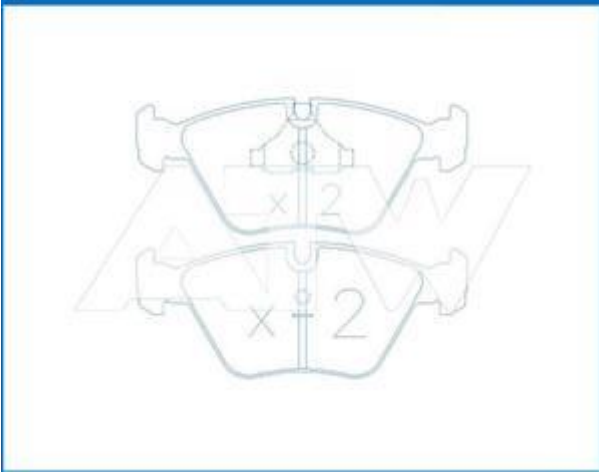
www.vep.it



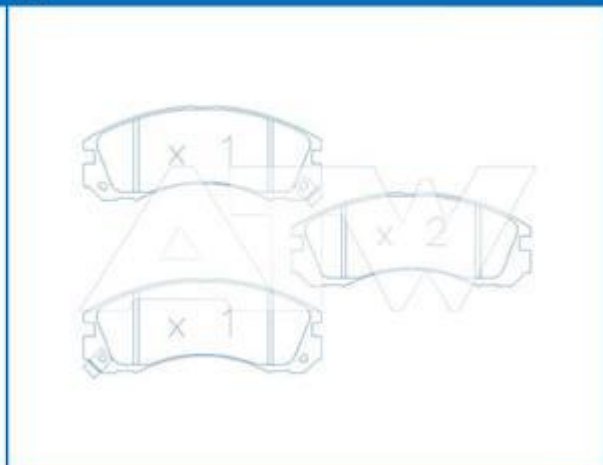
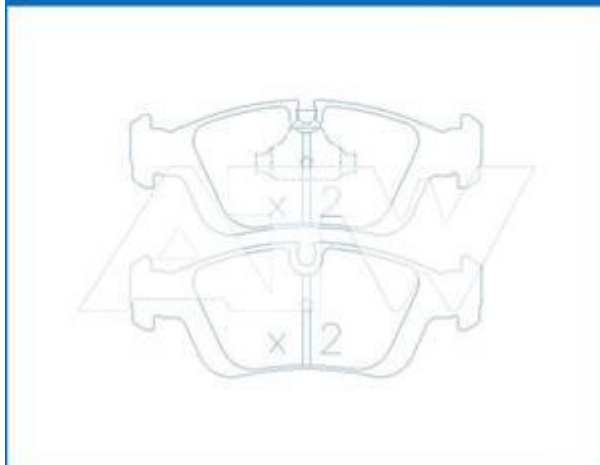
Codice - Code ATW0046	Miscela - Compound HP	L: 156,3 mm H: 64,1 mm TH: 19,5 mm	Codice - Code ATW0046	Miscela - Compound RC	L: 156,3 mm H: 64,1 mm TH: 19,5 mm
---------------------------------	---------------------------------	--	---------------------------------	---------------------------------	--

www.vep.it

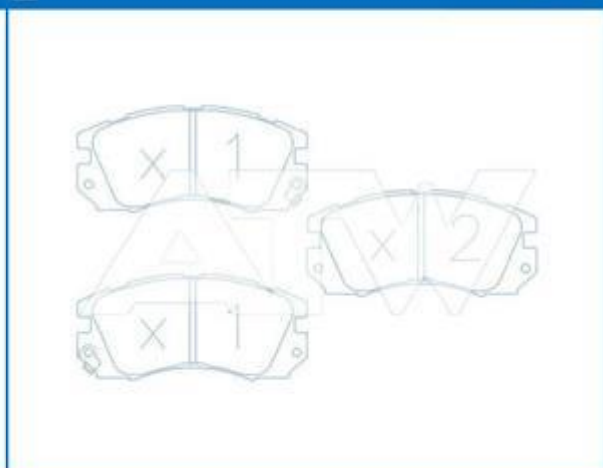
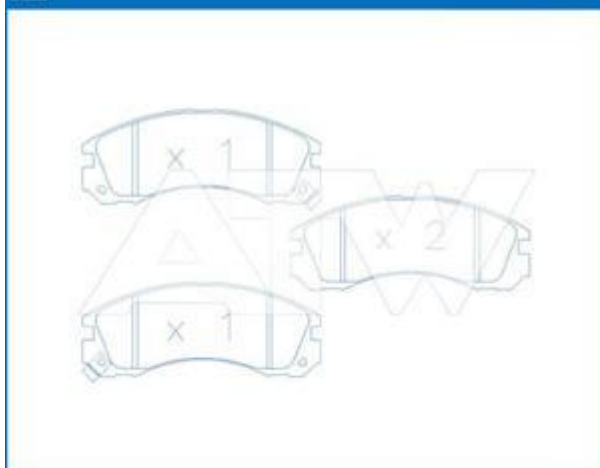
www.vep.it



<p>Codice - Code ATW0047</p> <p>Miscela - Compound HP</p> <p>L: 151,5 mm H: 57,9 mm TH: 17,5 mm</p>	<p>Codice - Code ATW0048</p> <p>Miscela - Compound HP</p> <p>L: 150 mm H: 58,7 mm TH: 16 mm</p>
---	---



<p>Codice - Code ATW0048</p> <p>Miscela - Compound RC</p> <p>L: 150 mm H: 58,7 mm TH: 16 mm</p>	<p>Codice - Code ATW0049</p> <p>Miscela - Compound HP</p> <p>L: 127,8 mm H: 58,8 mm TH: 17 mm</p>
---	---



<p>Codice - Code ATW0050</p> <p>Miscela - Compound HP</p> <p>L: 61,7 mm H: 57,7 mm TH: 15,5 mm</p>	<p>Codice - Code ATW0051</p> <p>Miscela - Compound HP</p> <p>L: 128,7 mm H: 55,7 mm TH: 18 mm</p>
--	---



<p>Codice - Code ATW0051</p> <p>Miscela - Compound RC</p> <p>L: 128,7 mm H: 55,7 mm TH: 18 mm</p>	<p>Codice - Code ATW0052</p> <p>Miscela - Compound HP</p> <p>L: 156,5 / 155,3 mm H: 58,8 / 58,8 mm TH: 18 mm</p>
---	--

ATTENZIONE

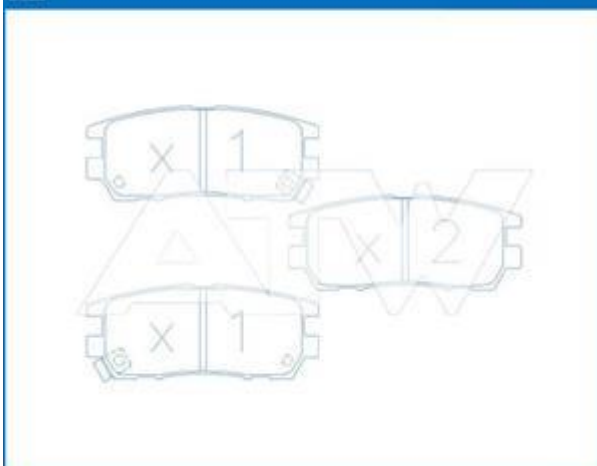


ATTENZIONE

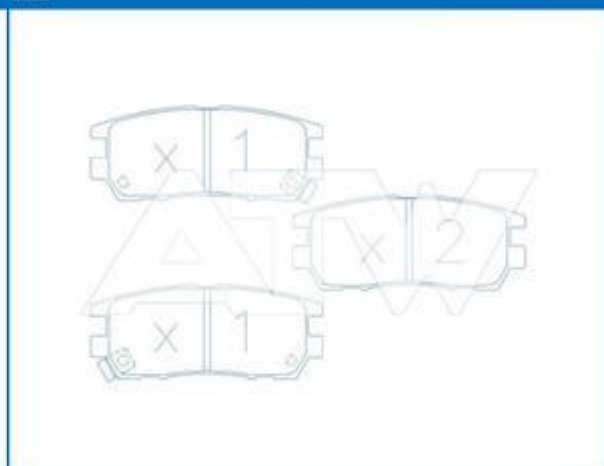


<p>Codice - Code ATW0053</p> <p>Miscela - Compound HP</p> <p>L: 107,9 mm H: 43,8 mm TH: 14,5 mm</p>	<p>Codice - Code ATW0053</p> <p>Miscela - Compound RC</p> <p>L: 107,9 mm H: 43,8 mm TH: 14,5 mm</p>
---	---

ATTENZIONE

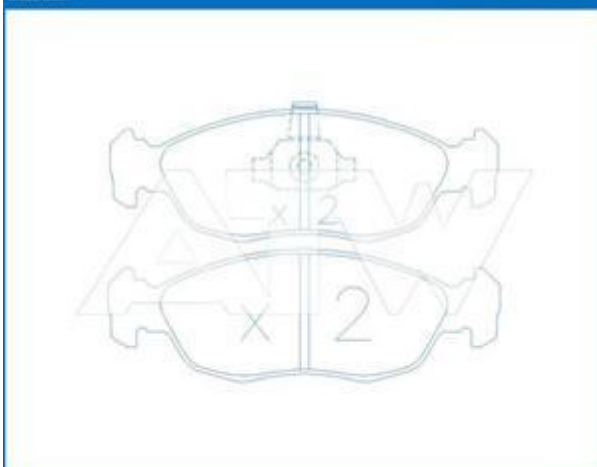


ATTENZIONE

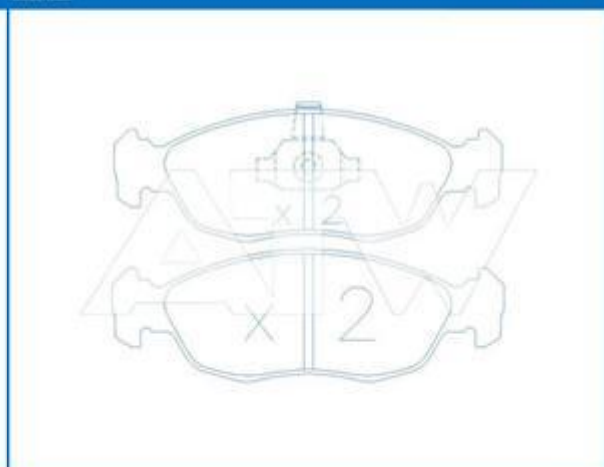


<p>Codice - Code ATW0054</p> <p>Miscela - Compound HP</p> <p>L: 141,5 / 140,3 mm H: 47,8 mm TH: 16,5 / 17,0 mm</p>	<p>Codice - Code ATW0054</p> <p>Miscela - Compound RC</p> <p>L: 141,5 / 140,3 mm H: 47,8 mm TH: 16,5 mm</p>
--	---

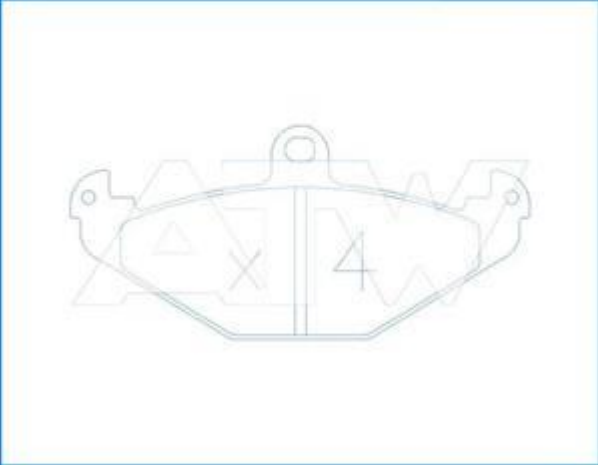
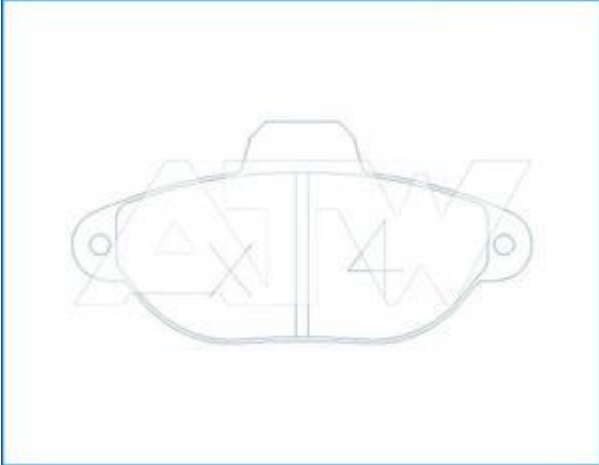
ATTENZIONE



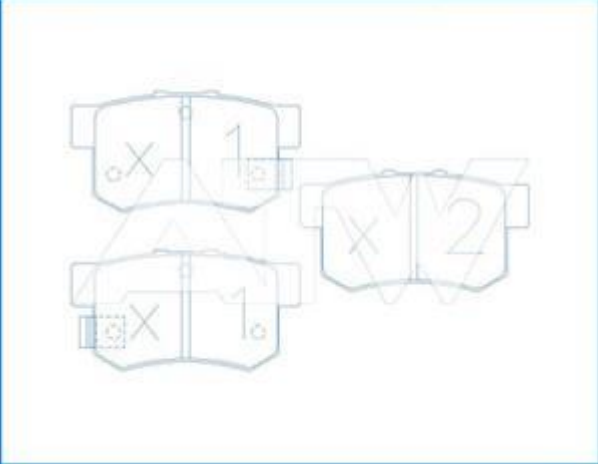
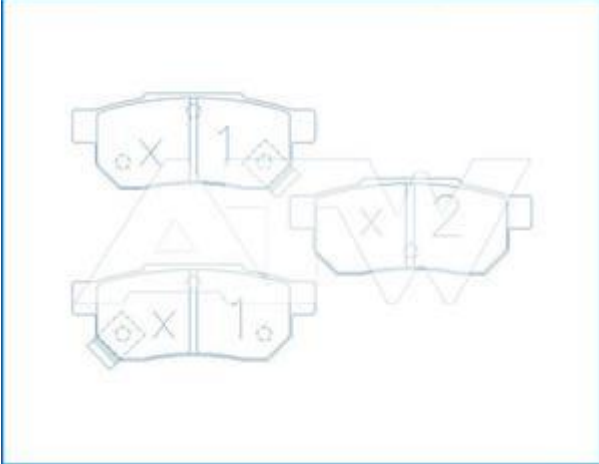
ATTENZIONE



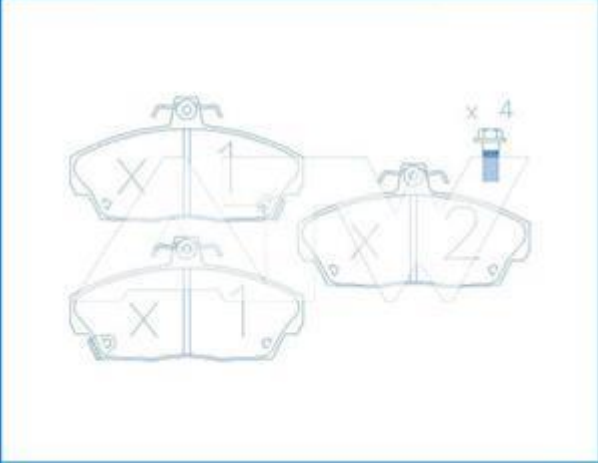
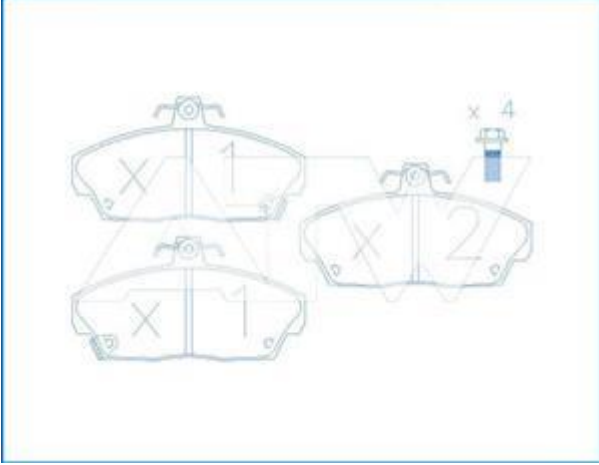
<p>Codice - Code ATW0055</p> <p>Miscela - Compound HP</p> <p>L: 115 mm H: 55,5 mm TH: 17 mm</p>	<p>Codice - Code ATW0056</p> <p>Miscela - Compound HP</p> <p>L: 126 mm H: 58,5 mm TH: 12,5 mm</p>
---	---



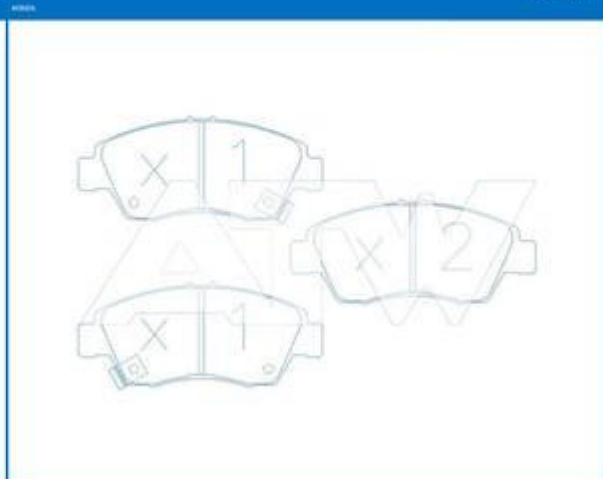
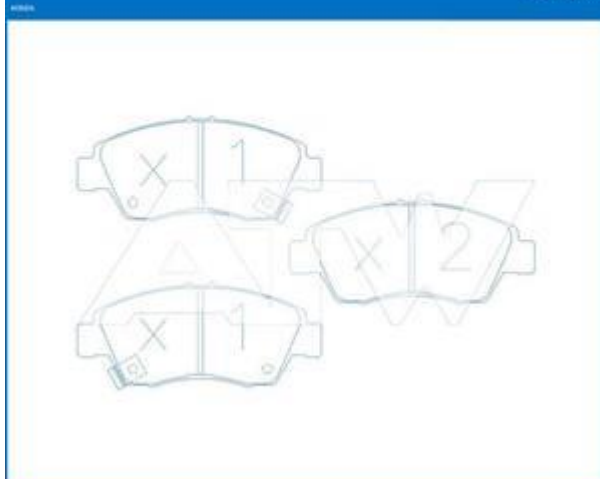
<p>Codice - Code ATW0057</p> <p>Miscela - Compound HP</p> <p>L: 89,1 mm H: 35,3 mm TH: 13 mm</p>	<p>Codice - Code ATW0058</p> <p>Miscela - Compound HP</p> <p>L: 89 mm H: 47 mm TH: 15 mm</p>
--	--



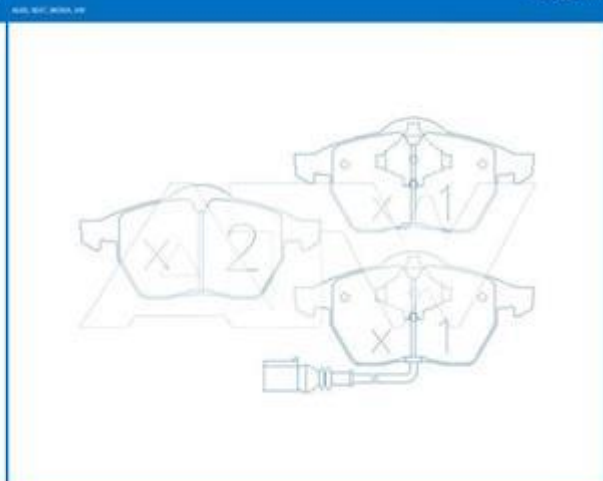
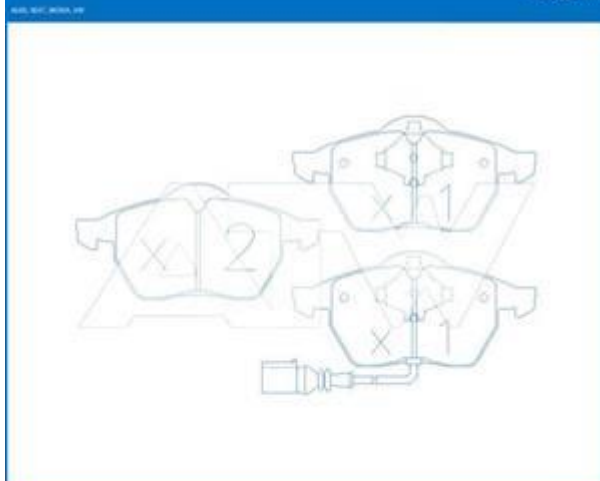
<p>Codice - Code ATW0059</p> <p>Miscela - Compound HP</p> <p>L: 129,3 mm H: 68,7 mm TH: 18 mm</p>	<p>Codice - Code ATW0059</p> <p>Miscela - Compound RC</p> <p>L: 129,3 mm H: 68,7 mm TH: 18 mm</p>
---	---



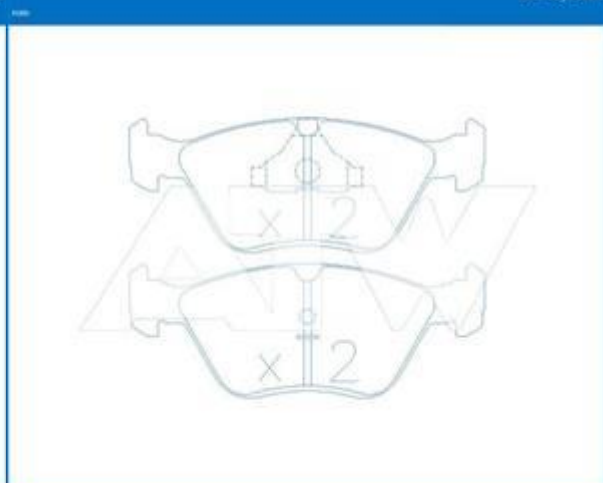
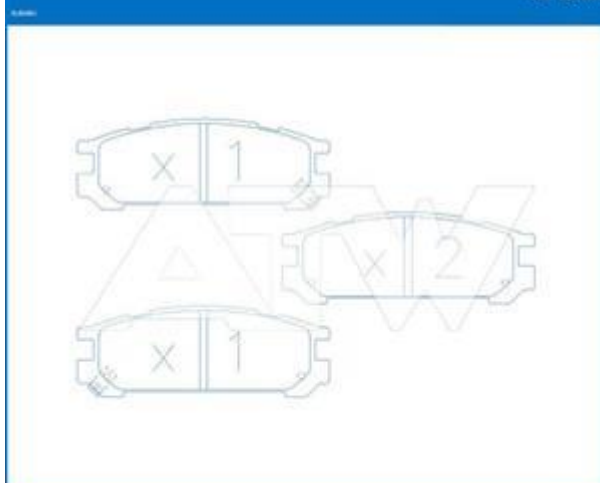
<p>Codice - Code ATW0060</p> <p>Miscela - Compound HP</p> <p>L: 136,8 mm H: 57,9 mm TH: 17 mm</p>	<p>Codice - Code ATW0060</p> <p>Miscela - Compound RC</p> <p>L: 136,8 mm H: 57,9 mm TH: 17 mm</p>
---	---



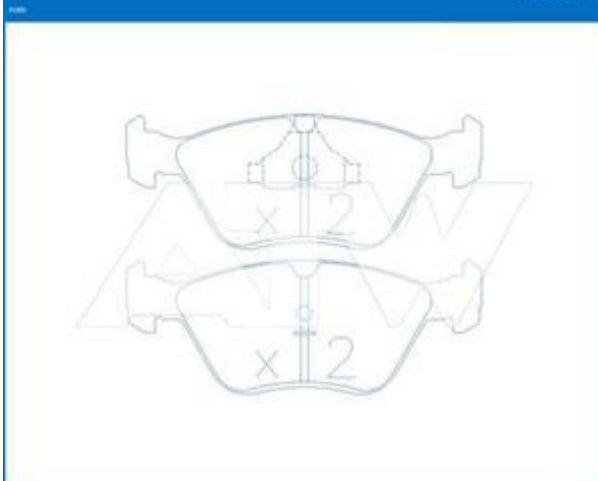
<p>Codice - Code ATW0061</p> <p>Miscela - Compound HP</p> <p>L: 156,4 mm H: 74,3 mm TH: 20 mm</p>	<p>Codice - Code ATW0061</p> <p>Miscela - Compound RC</p> <p>L: 156,4 mm H: 74,3 mm TH: 20 mm</p>
---	---



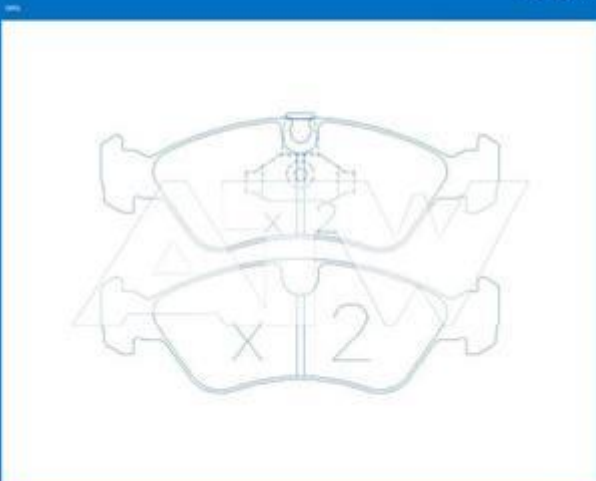
<p>Codice - Code ATW0062</p> <p>Miscela - Compound HP</p> <p>L: 109 mm H: 39,7 mm TH: 15 mm</p>	<p>Codice - Code ATW0063</p> <p>Miscela - Compound HP</p> <p>L: 156,4 mm H: 58,7 mm TH: 18,5 mm</p>
---	---



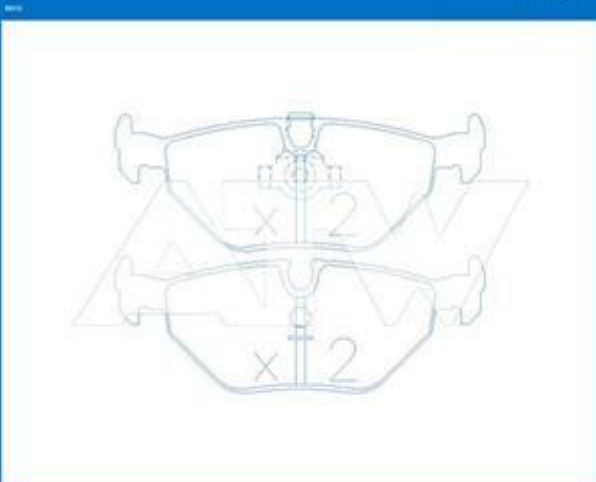
<p>Codice - Code ATW0063</p> <p>Miscela - Compound RC</p> <p>L: 156,4 mm H: 58,7 mm TH: 18,5 mm</p>	<p>Codice - Code ATW0064</p> <p>Miscela - Compound HP</p> <p>L: 156,3 / 155,1 mm H: 64,1 mm TH: 19,5 mm</p>
---	---



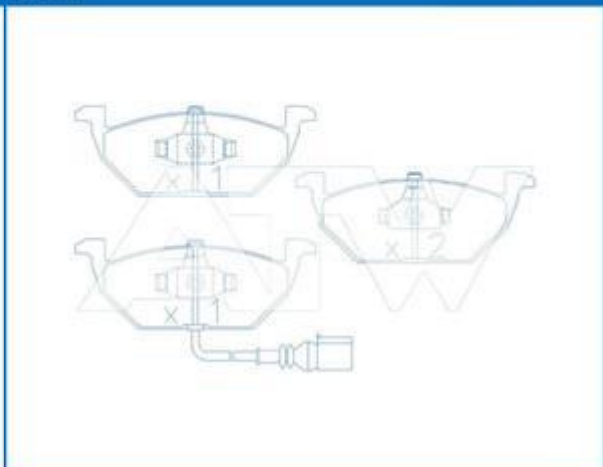
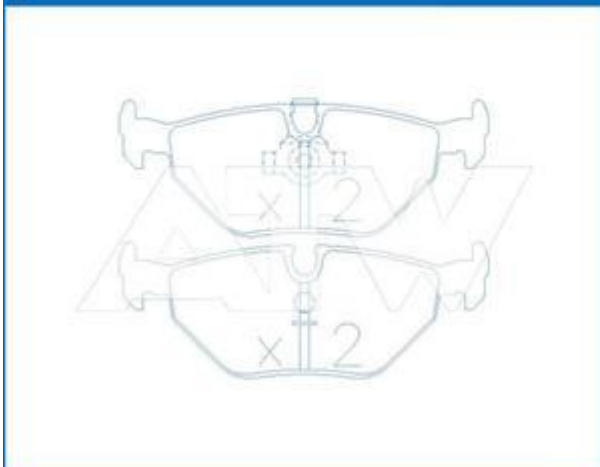
<p>Codice - Code ATW0064</p> <p>Miscela - Compound RC</p> <p>L: 156,3 / 155,1 mm H: 64,1 mm TH: 19,5 mm</p>	<p>Codice - Code ATW0065</p> <p>Miscela - Compound HP</p> <p>L: 156,4 mm H: 52,6 mm TH: 18 mm</p>
---	---



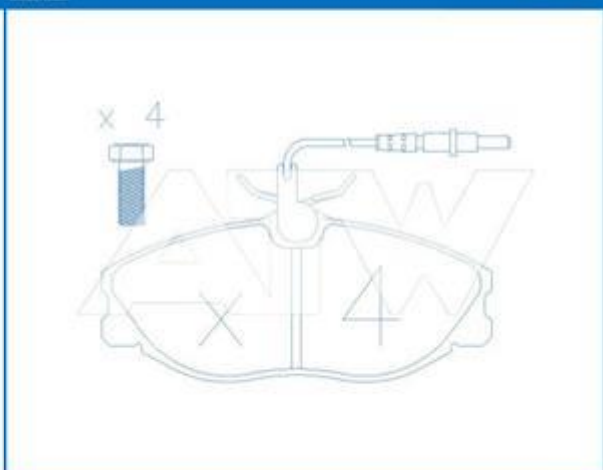
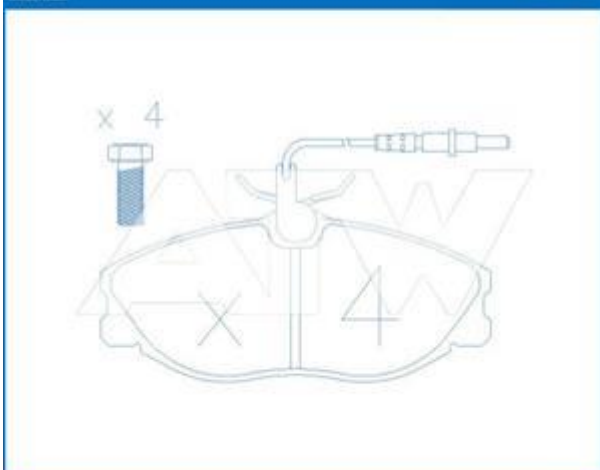
<p>Codice - Code ATW0065</p> <p>Miscela - Compound RC</p> <p>L: 156,4 mm H: 52,6 mm TH: 18 mm</p>	<p>Codice - Code ATW0066</p> <p>Miscela - Compound HP</p> <p>L: 123,2 mm H: 45,2 mm TH: 17 mm</p>
---	---



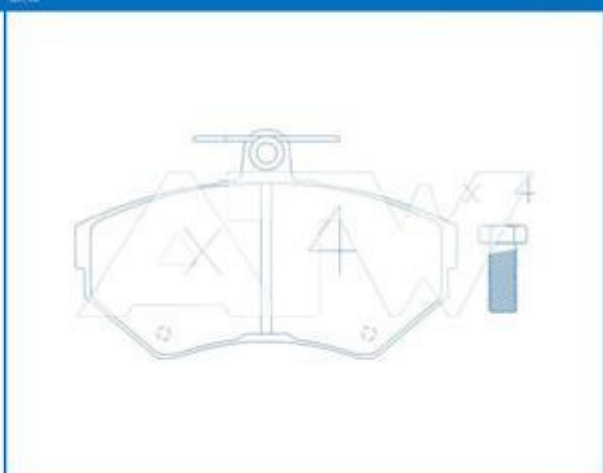
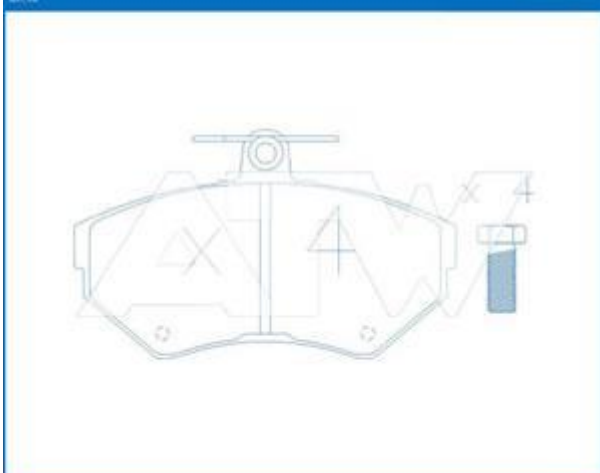
<p>Codice - Code ATW0066</p> <p>Miscela - Compound RC</p> <p>L: 123,2 mm H: 45,2 mm TH: 17 mm</p>	<p>Codice - Code ATW0067</p> <p>Miscela - Compound HP</p> <p>L: 146 mm H: 54,7 mm TH: 19,5 mm</p>
---	---



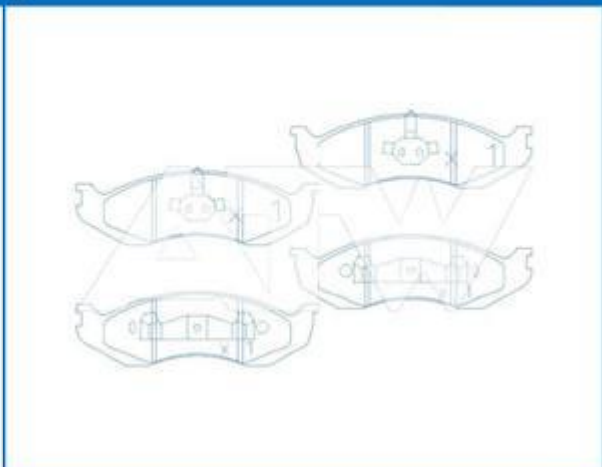
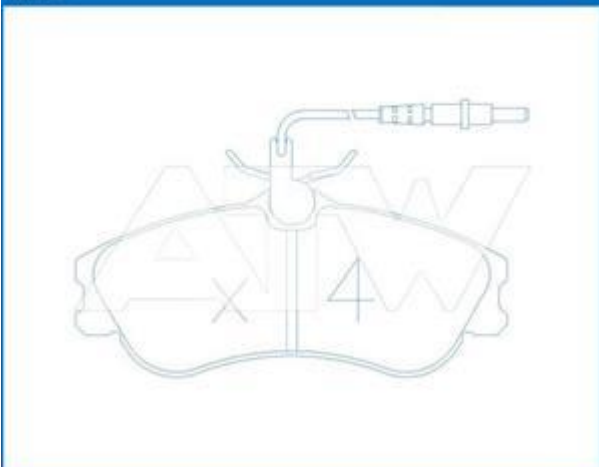
<p>Codice - Code ATW0068</p> <p>Miscela - Compound HP</p> <p>L: 130 mm H: 56,7 mm TH: 19 mm</p>	<p>Codice - Code ATW0068</p> <p>Miscela - Compound RC</p> <p>L: 130 mm H: 56,7 mm TH: 19 mm</p>
---	---



<p>Codice - Code ATW0069</p> <p>Miscela - Compound HP</p> <p>L: 118,7 mm H: 69,5 mm TH: 16 mm</p>	<p>Codice - Code ATW0069</p> <p>Miscela - Compound RC</p> <p>L: 118,7 mm H: 69,5 mm TH: 16 mm</p>
---	---



<p>Codice - Code ATW0070</p> <p>Miscela - Compound HP</p> <p>L: 129,8 mm H: 56,1 mm TH: 19 mm</p>	<p>Codice - Code ATW0071</p> <p>Miscela - Compound HP</p> <p>L: 177 mm H: 54,4 mm TH: 17 mm</p>
---	---



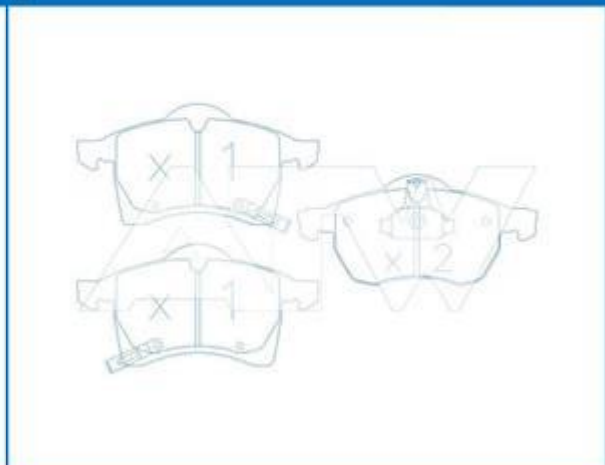
<p>Codice - Code ATW0072</p> <p>Miscela - Compound HP</p> <p>L: 109,8 mm H: 69,2 mm TH: 17,5 mm</p>	<p>Codice - Code ATW0072</p> <p>Miscela - Compound RC</p> <p>L: 109,8 mm H: 69,2 mm TH: 17,5 mm</p>
---	---



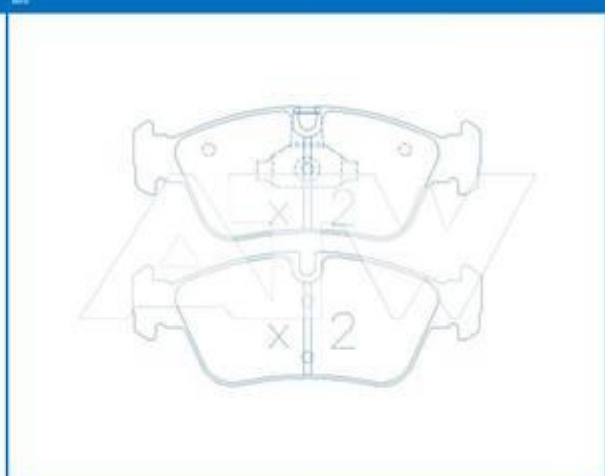
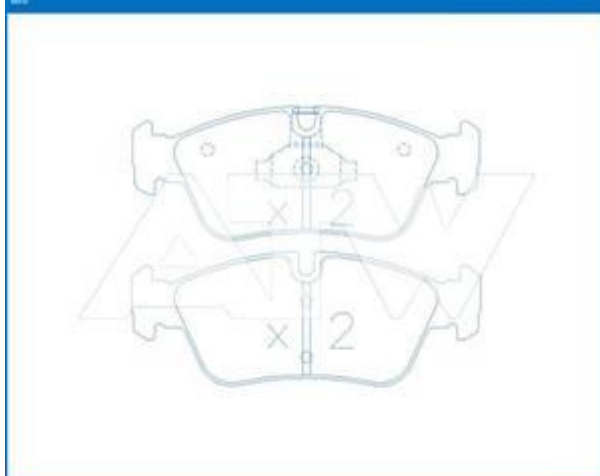
<p>Codice - Code ATW0073</p> <p>Miscela - Compound HP</p> <p>L: 109,8 mm H: 69,2 mm TH: 15 mm</p>	<p>Codice - Code ATW0073</p> <p>Miscela - Compound RC</p> <p>L: 109,8 mm H: 69,2 mm TH: 15 mm</p>
---	---



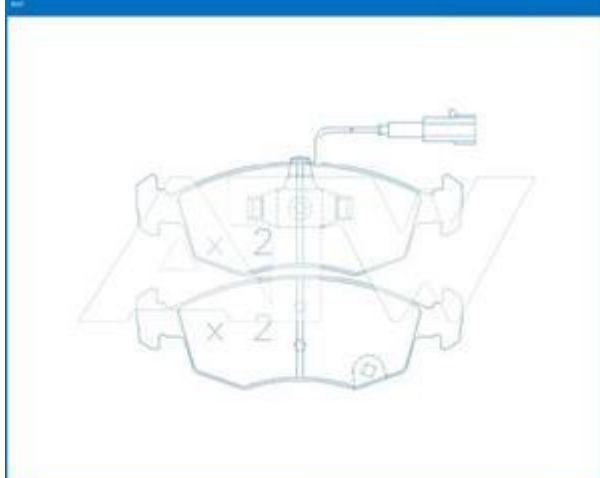
<p>Codice - Code ATW0074</p> <p>Miscela - Compound HP</p> <p>L: 131 mm H: 47,3 mm TH: 18 mm</p>	<p>Codice - Code ATW0075</p> <p>Miscela - Compound HP</p> <p>L: 156,3 / 155,1 mm H: 78,5 / 71,6 mm TH: 19,5 mm</p>
---	--



<p>Codice - Code ATW0076</p> <p>Miscela - Compound HP</p> <p>L: 151,3 / 150,1 mm H: 57,7 mm TH: 17,5 mm</p>	<p>Codice - Code ATW0076</p> <p>Miscela - Compound RC</p> <p>L: 151,3 / 150,1 mm H: 57,7 mm TH: 17,5 mm</p>
---	---



<p>Codice - Code ATW0077</p> <p>Miscela - Compound HP</p> <p>L: 149,3 mm H: 52,5 mm TH: 17,5 mm</p>	<p>Codice - Code ATW0078</p> <p>Miscela - Compound HP</p> <p>L: 54 mm H: 64,6 mm TH: 15 mm</p>
---	--

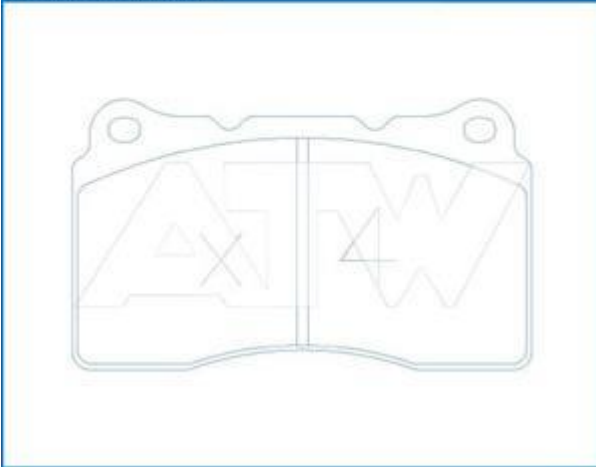


Codice - Code
ATW0079

Miscela - Compound
HP

L: 131,8 mm
H: 77,2 mm
TH: 16 mm

4833 483403 (1) (2) (3) (4) (5) (6) (7) (8) (9) (10) (11) (12) (13) (14) (15) (16) (17) (18) (19) (20) (21) (22) (23) (24) (25) (26) (27) (28) (29) (30) (31) (32) (33) (34) (35) (36) (37) (38) (39) (40) (41) (42) (43) (44) (45) (46) (47) (48) (49) (50) (51) (52) (53) (54) (55) (56) (57) (58) (59) (60) (61) (62) (63) (64) (65) (66) (67) (68) (69) (70) (71) (72) (73) (74) (75) (76) (77) (78) (79) (80) (81) (82) (83) (84) (85) (86) (87) (88) (89) (90) (91) (92) (93) (94) (95) (96) (97) (98) (99) (100)

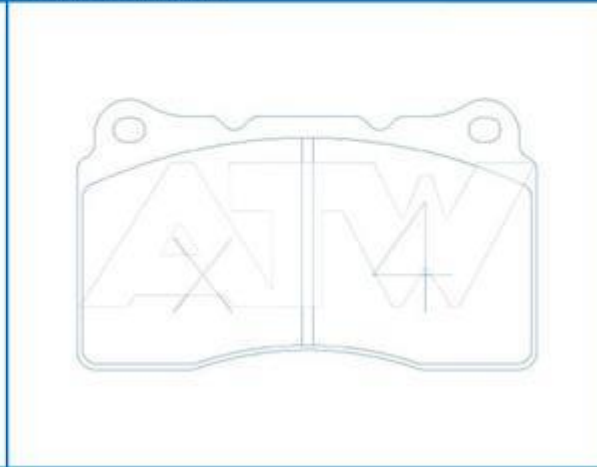


Codice - Code
ATW0079

Miscela - Compound
RC

L: 131,8 mm
H: 77,2 mm
TH: 16 mm

4833 483403 (1) (2) (3) (4) (5) (6) (7) (8) (9) (10) (11) (12) (13) (14) (15) (16) (17) (18) (19) (20) (21) (22) (23) (24) (25) (26) (27) (28) (29) (30) (31) (32) (33) (34) (35) (36) (37) (38) (39) (40) (41) (42) (43) (44) (45) (46) (47) (48) (49) (50) (51) (52) (53) (54) (55) (56) (57) (58) (59) (60) (61) (62) (63) (64) (65) (66) (67) (68) (69) (70) (71) (72) (73) (74) (75) (76) (77) (78) (79) (80) (81) (82) (83) (84) (85) (86) (87) (88) (89) (90) (91) (92) (93) (94) (95) (96) (97) (98) (99) (100)

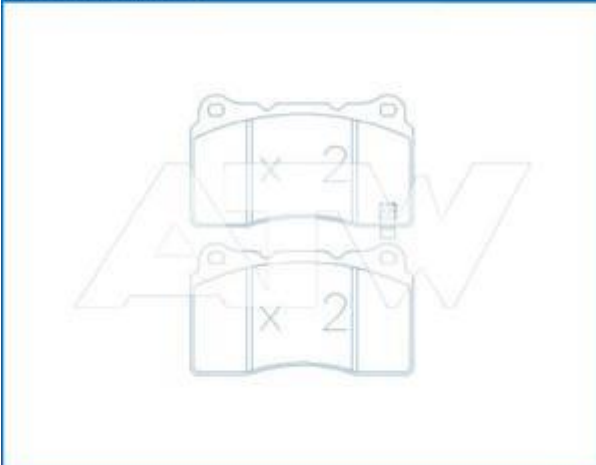


Codice - Code
ATW0080

Miscela - Compound
HP

L: 131,8 mm
H: 77,2 mm
TH: 16 mm

4833 483403 (1) (2) (3) (4) (5) (6) (7) (8) (9) (10) (11) (12) (13) (14) (15) (16) (17) (18) (19) (20) (21) (22) (23) (24) (25) (26) (27) (28) (29) (30) (31) (32) (33) (34) (35) (36) (37) (38) (39) (40) (41) (42) (43) (44) (45) (46) (47) (48) (49) (50) (51) (52) (53) (54) (55) (56) (57) (58) (59) (60) (61) (62) (63) (64) (65) (66) (67) (68) (69) (70) (71) (72) (73) (74) (75) (76) (77) (78) (79) (80) (81) (82) (83) (84) (85) (86) (87) (88) (89) (90) (91) (92) (93) (94) (95) (96) (97) (98) (99) (100)

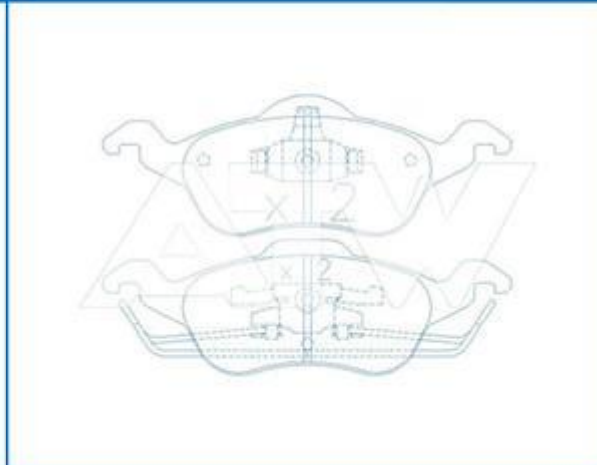


Codice - Code
ATW0081

Miscela - Compound
HP

L: 177,8 mm
H: 58,4 / 60,9 mm
TH: 19 mm

4833

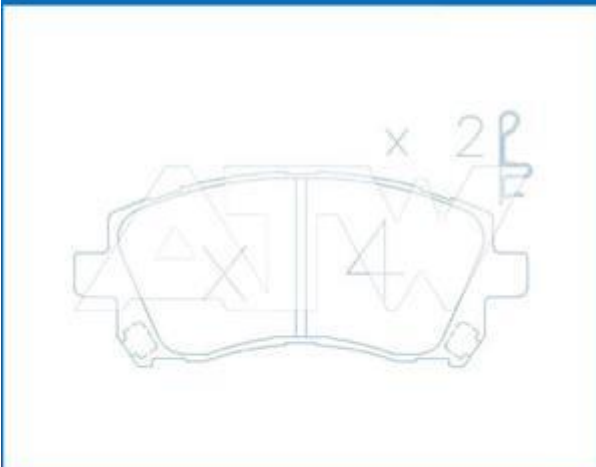


Codice - Code
ATW0082

Miscela - Compound
HP

L: 137,7 mm
H: 58,9 mm
TH: 17 mm

4833

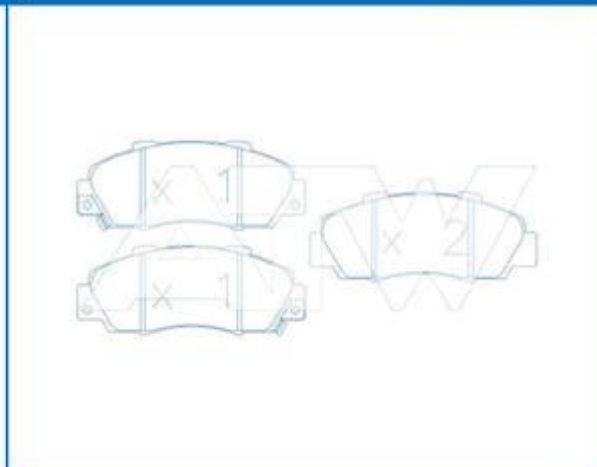


Codice - Code
ATW0083

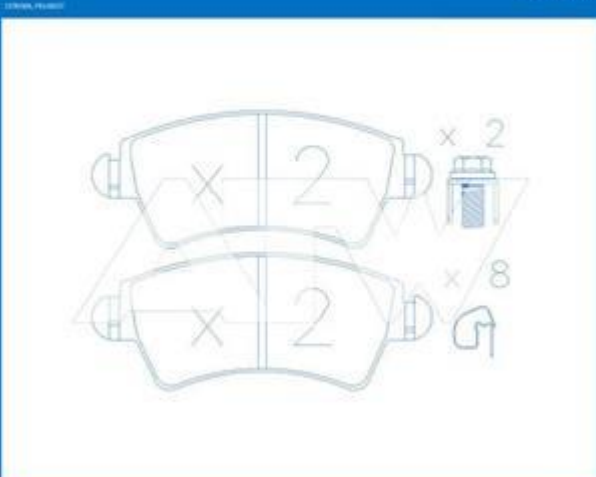
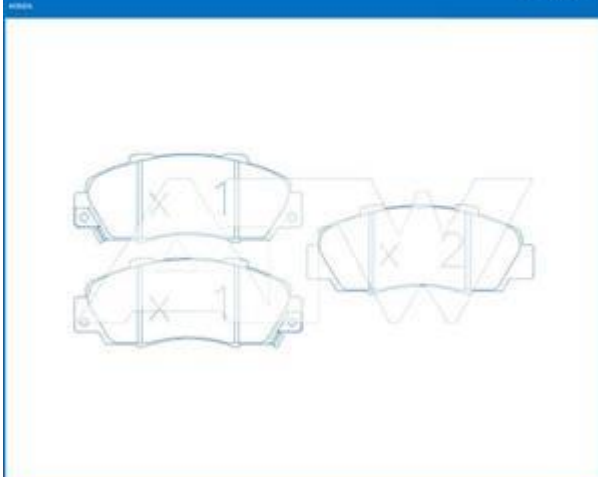
Miscela - Compound
HP

L: 148,6 mm
H: 57,7 mm
TH: 17,5 mm

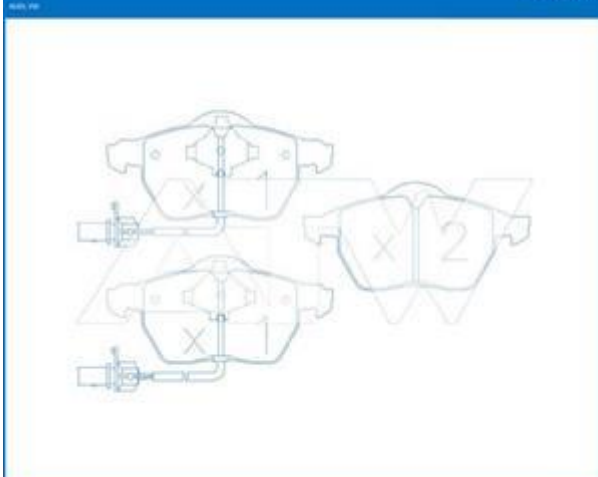
4833



<p>Codice - Code ATW0083</p> <p>Miscela - Compound RC</p> <p>L: 148,6 mm H: 57,7 mm TH: 17,5 mm</p>	<p>Codice - Code ATW0084</p> <p>Miscela - Compound HP</p> <p>L: 130,8 mm H: 52,6 mm TH: 18 mm</p>
---	---



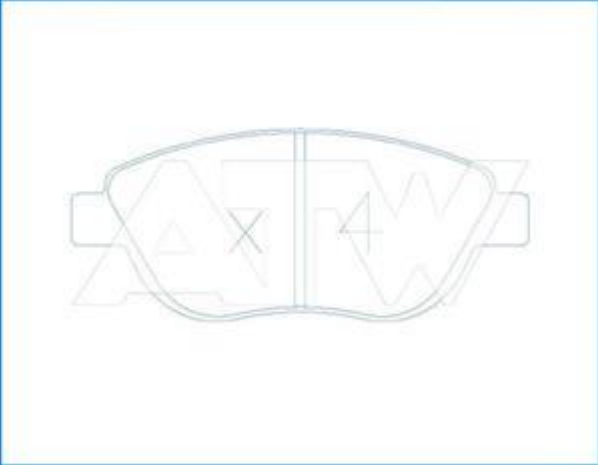
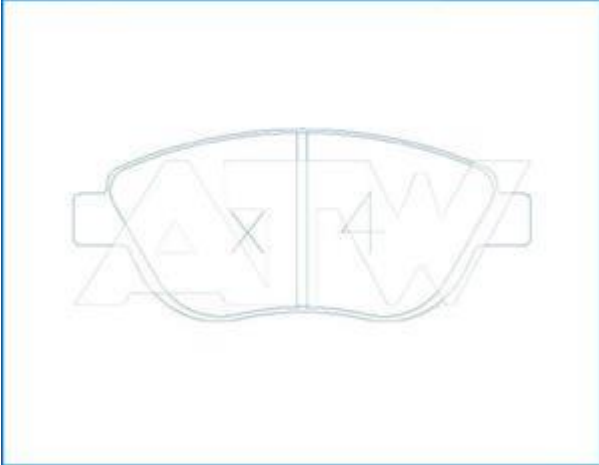
<p>Codice - Code ATW0085</p> <p>Miscela - Compound HP</p> <p>L: 156,4 mm H: 74,3 mm TH: 20 mm</p>	<p>Codice - Code ATW0086</p> <p>Miscela - Compound HP</p> <p>L: 151,2 / 150,1 mm H: 58,1 / 61 mm TH: 18,5 mm</p>
---	--



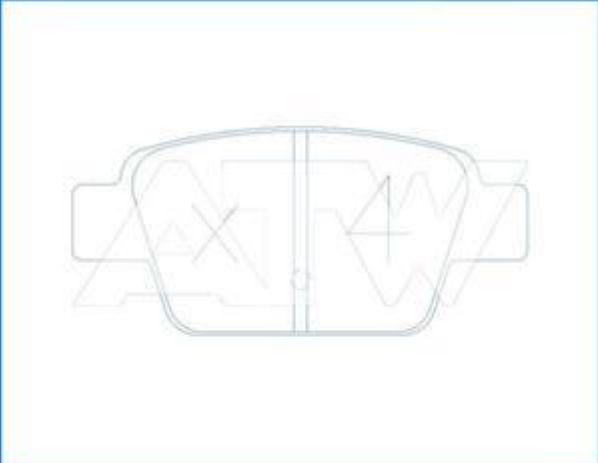
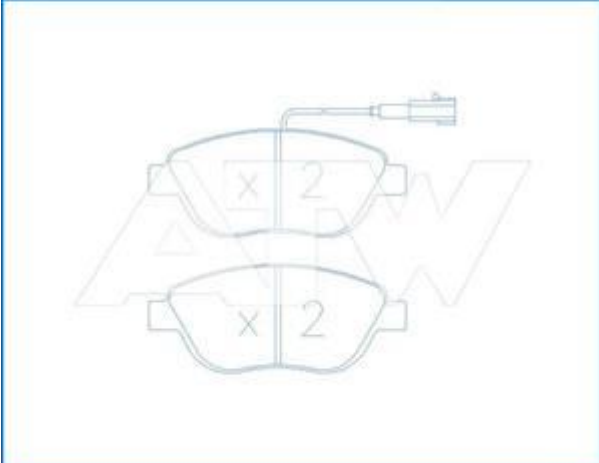
<p>Codice - Code ATW0087</p> <p>Miscela - Compound HP</p> <p>L: 87,2 mm H: 42,4 mm TH: 15 mm</p>	<p>Codice - Code ATW0088</p> <p>Miscela - Compound HP</p> <p>L: 122,8 mm H: 53,3 mm TH: 18 mm</p>
--	---



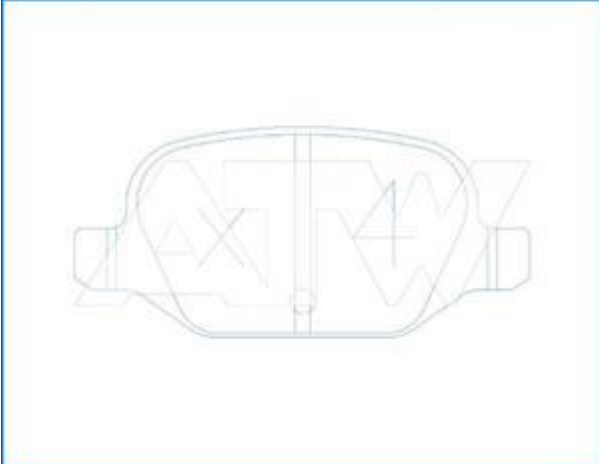
<p>Codice - Code ATW0089</p> <p>Miscela - Compound HP</p> <p>L: 136,8 mm H: 57,4 mm TH: 19 mm</p> <p><small>©2016, Pirelli, Pirelli S.p.A.</small></p>	<p>Codice - Code ATW0089</p> <p>Miscela - Compound RC</p> <p>L: 136,8 mm H: 57,4 mm TH: 19 mm</p> <p><small>©2016, Pirelli, Pirelli S.p.A.</small></p>
--	--



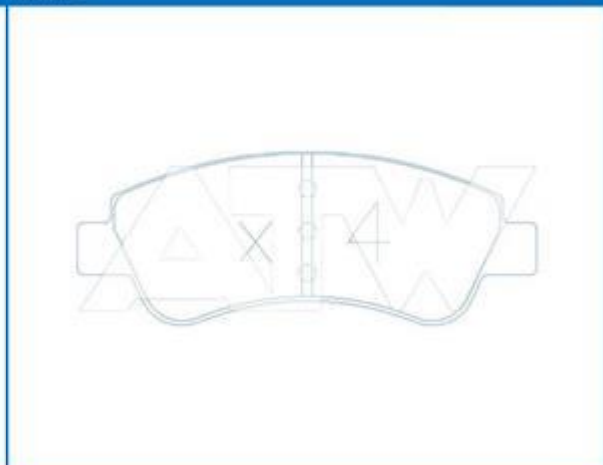
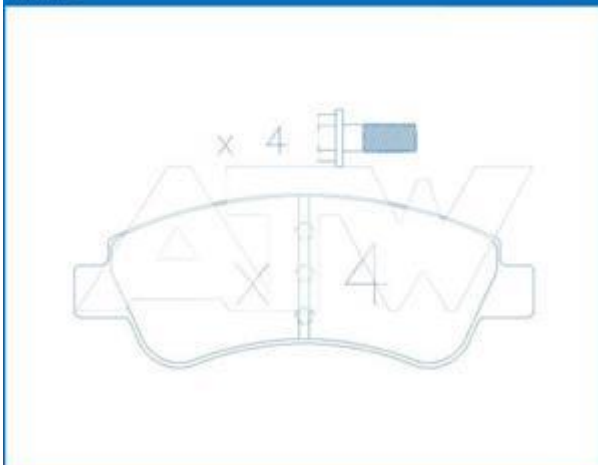
<p>Codice - Code ATW0090</p> <p>Miscela - Compound HP</p> <p>L: 136,8 mm H: 57,4 mm TH: 19 mm</p> <p><small>©2016, Pirelli, Pirelli S.p.A.</small></p>	<p>Codice - Code ATW0091</p> <p>Miscela - Compound HP</p> <p>L: 94,8 mm H: 42,9 mm TH: 16,5 mm</p> <p><small>©2016, Pirelli, Pirelli S.p.A.</small></p>
--	---



<p>Codice - Code ATW0092</p> <p>Miscela - Compound HP</p> <p>L: 95,8 mm H: 43,9 mm TH: 14 mm</p> <p><small>©2016, Pirelli, Pirelli S.p.A.</small></p>	<p>Codice - Code ATW0093</p> <p>Miscela - Compound HP</p> <p>L: 95,8 mm H: 43,9 mm TH: 16 mm</p> <p><small>©2016, Pirelli, Pirelli S.p.A.</small></p>
---	---



<p>Codice - Code ATW0094</p> <p>Miscela - Compound HP</p> <p>L: 136,8 mm H: 51,6 mm TH: 19 mm</p>	<p>Codice - Code ATW0094</p> <p>Miscela - Compound RC</p> <p>L: 136,8 mm H: 51,6 mm TH: 19 mm</p>
---	---



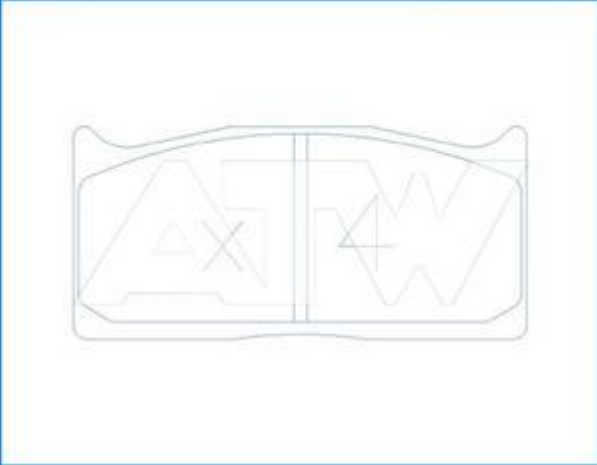
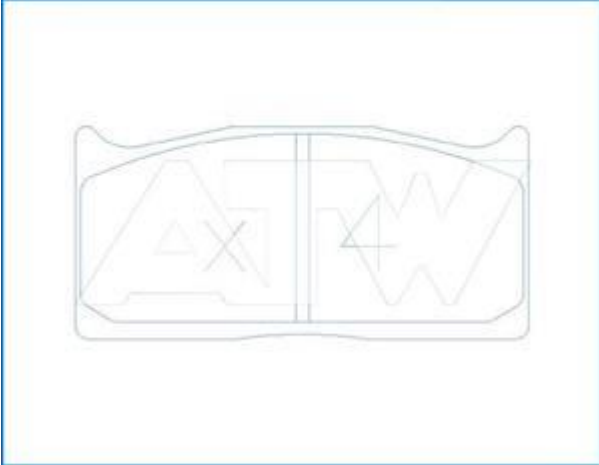
<p>Codice - Code ATW0095</p> <p>Miscela - Compound HP</p> <p>L: 128,7 mm H: 56,1 mm TH: 19 mm</p>	<p>Codice - Code ATW0096</p> <p>Miscela - Compound HP</p> <p>L: 156,3 / 155,1 mm H: 66,3 / 68,7 mm TH: 18 mm</p>
---	--



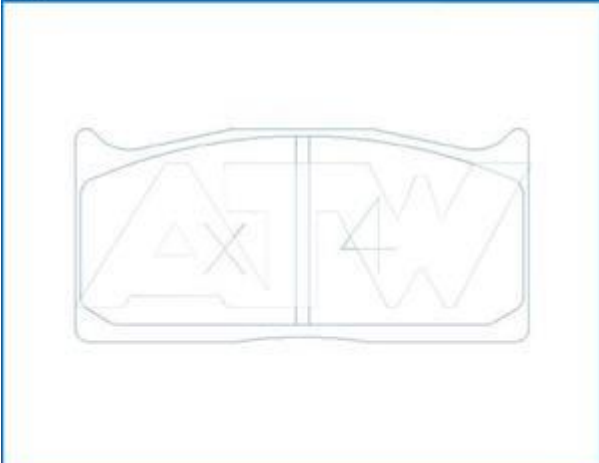
<p>Codice - Code ATW0097</p> <p>Miscela - Compound HP</p> <p>L: 123 mm H: 51,9 mm TH: 16,5 mm</p>	<p>Codice - Code ATW0098</p> <p>Miscela - Compound HP</p> <p>L: 90 mm H: 70,1 mm TH: 16 mm</p>
---	--



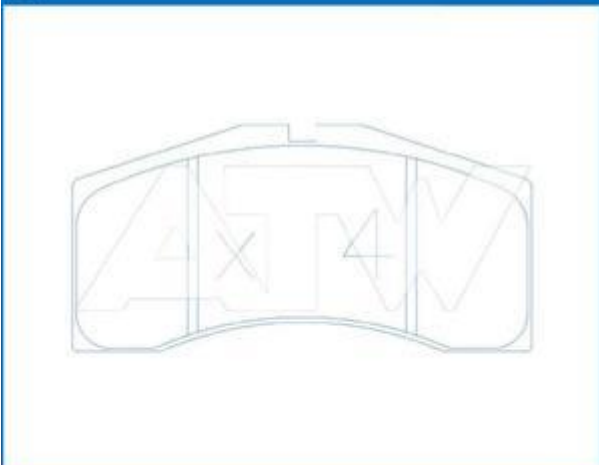
Codice - Code **ATW0102** Mescola - Compound **HP** L: 99,7 mm H: 46,5 mm TH: 20 mm Codice - Code **ATW0102** Mescola - Compound **RC** L: 99,7 mm H: 46,5 mm TH: 20 mm



Codice - Code **ATW0103** Mescola - Compound **HP** L: 99,7 mm H: 46,5 mm TH: 16 mm Codice - Code **ATW0103** Mescola - Compound **RC** L: 99,7 mm H: 46,5 mm TH: 16 mm

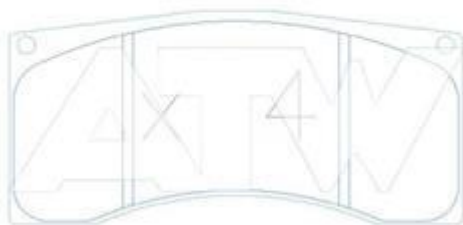


Codice - Code **ATW0104** Mescola - Compound **HP** L: 131,7 mm H: 85 mm TH: 17 mm Codice - Code **ATW0104** Mescola - Compound **RC** L: 131,7 mm H: 85 mm TH: 17 mm



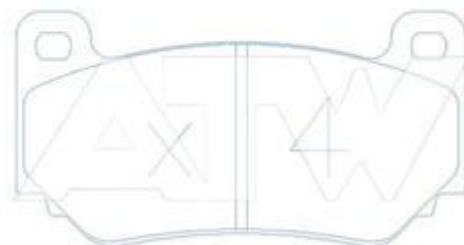
Codice - Code
ATW0108 Mescola - Compound **HP** L: 131,7 mm
H: 62 mm
TH: 18 mm

ATW0108



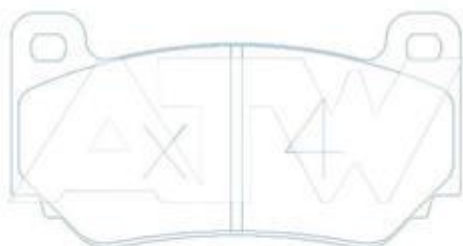
Codice - Code
ATW0109 Mescola - Compound **HP** L: 113,7 mm
H: 59,1 mm
TH: 16 mm

ATW0109



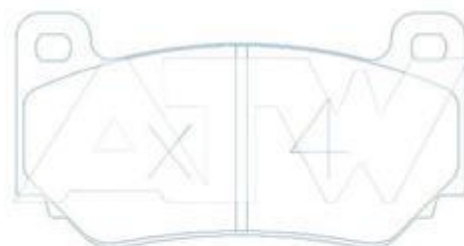
Codice - Code
ATW0109 Mescola - Compound **RC** L: 113,7 mm
H: 59,1 mm
TH: 16 mm

ATW0109



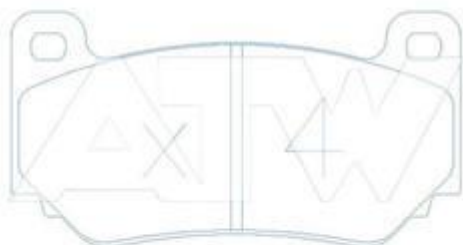
Codice - Code
ATW0110 Mescola - Compound **HP** L: 113,7 mm
H: 59,1 mm
TH: 16 mm

ATW0110



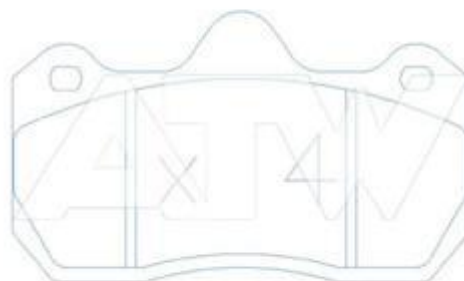
Codice - Code
ATW0110 Mescola - Compound **RC** L: 113,7 mm
H: 59,1 mm
TH: 14 mm

ATW0110

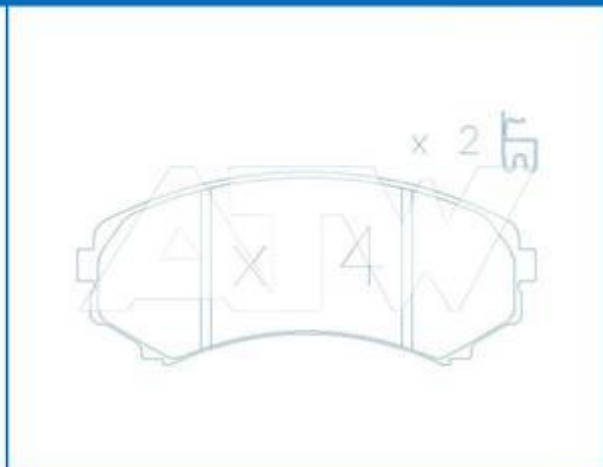


Codice - Code
ATW0111 Mescola - Compound **HP** L: 130 mm
H: 81,5 mm
TH: 16,5 mm

ATW0111



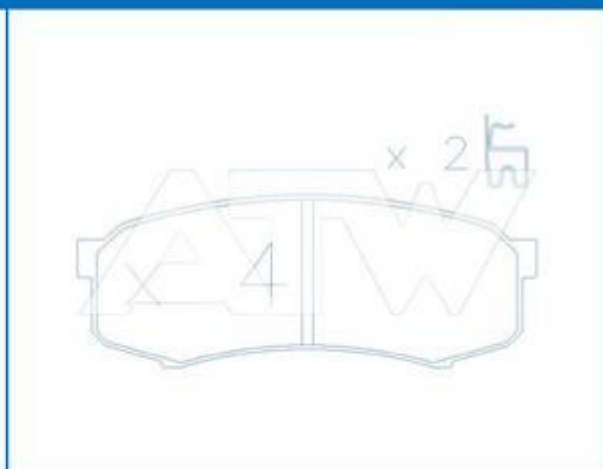
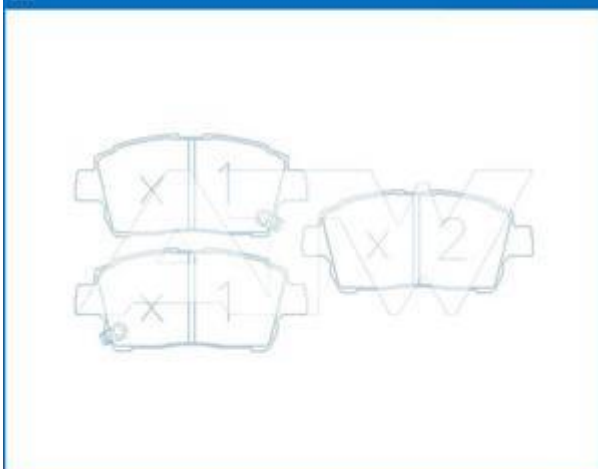
<p>Codice - Code ATW0111</p> <p>Miscela - Compound RC</p> <p>L: 130 mm H: 81,5 mm TH: 16,5 mm</p>	<p>Codice - Code ATW0112</p> <p>Miscela - Compound HP</p> <p>L: 130 mm H: 59,3 mm TH: 16 mm</p>
---	---



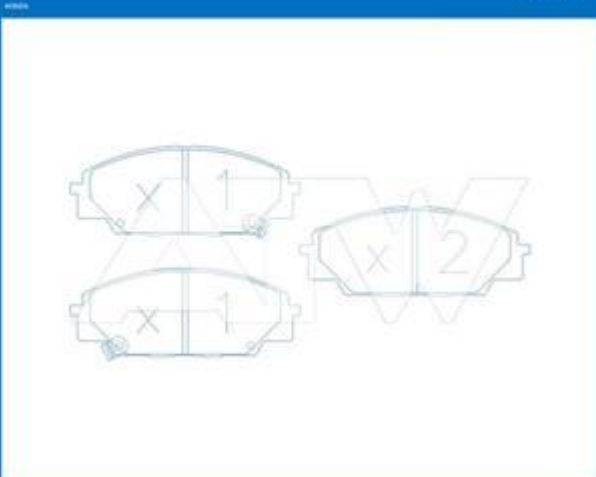
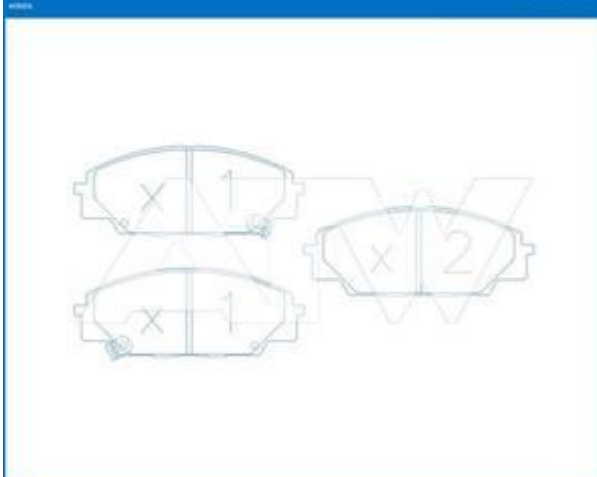
<p>Codice - Code ATW0113</p> <p>Miscela - Compound HP</p> <p>L: 119,2 mm H: 70 mm TH: 14,5 mm</p>	<p>Codice - Code ATW0113</p> <p>Miscela - Compound RC</p> <p>L: 119,2 mm H: 70 mm TH: 14,5 mm</p>
---	---



<p>Codice - Code ATW0114</p> <p>Miscela - Compound HP</p> <p>L: 116,4 mm H: 51,2 mm TH: 16,5 mm</p>	<p>Codice - Code ATW0115</p> <p>Miscela - Compound HP</p> <p>L: 116 mm H: 43,8 mm TH: 16 mm</p>
---	---



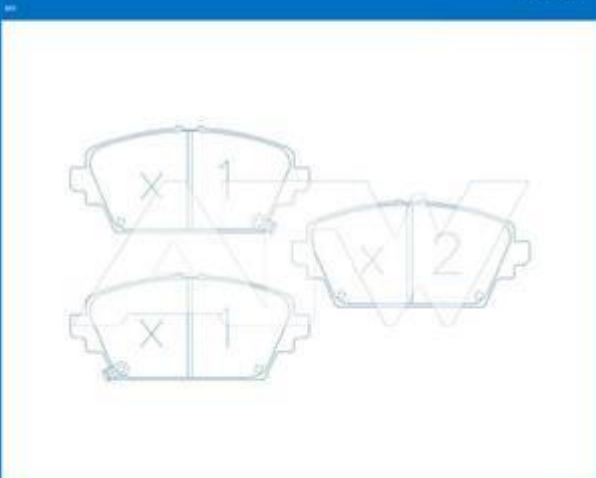
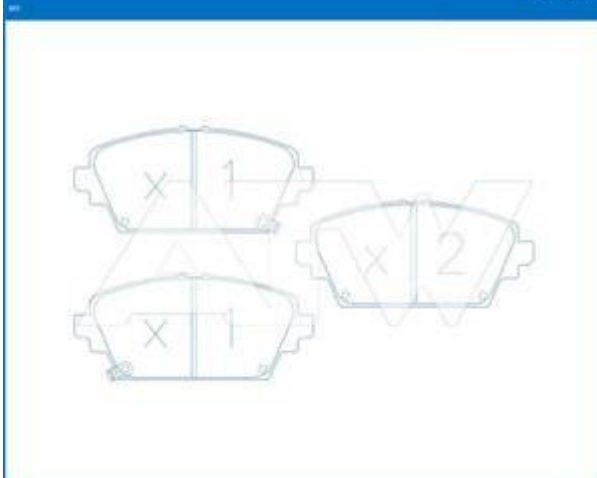
Codice - Code **ATW0116** Miscola - Compound **HP** L: 135,3 mm H: 52,5 mm TH: 16 mm Codice - Code **ATW0116** Miscola - Compound **RC** L: 135,3 mm H: 52,5 mm TH: 16 mm



Codice - Code **ATW0117** Miscola - Compound **HP** L: 149,2 mm H: 84 mm TH: 17 mm Codice - Code **ATW0117** Miscola - Compound **RC** L: 149,2 mm H: 84 mm TH: 17 mm



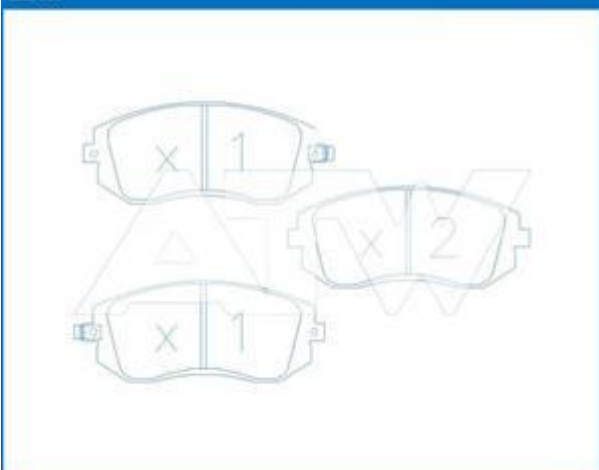
Codice - Code **ATW0118** Miscola - Compound **HP** L: 131,5 mm H: 59,4 mm TH: 17 mm Codice - Code **ATW0118** Miscola - Compound **RC** L: 131,5 mm H: 59,4 mm TH: 17 mm



<p>Codice - Code ATW0119</p> <p>Miscela - Compound HP</p> <p>L: 116,1 mm H: 51,9 mm TH: 17,5 mm</p>	<p>Codice - Code ATW0119</p> <p>Miscela - Compound RC</p> <p>L: 116,1 mm H: 51,9 mm TH: 17,5 mm</p>
---	---



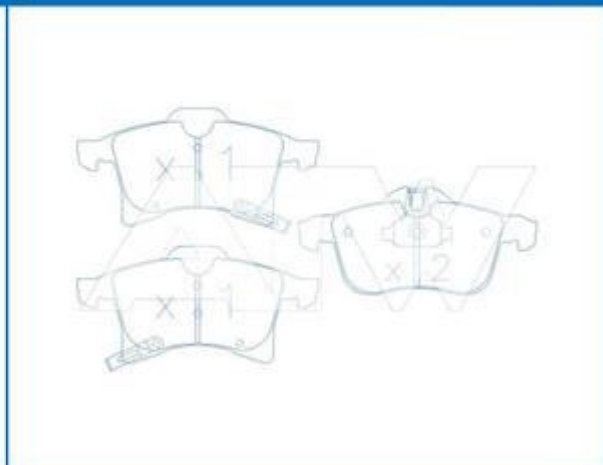
<p>Codice - Code ATW0120</p> <p>Miscela - Compound HP</p> <p>L: 137 mm H: 56,8 mm TH: 17,5 mm</p>	<p>Codice - Code ATW0121</p> <p>Miscela - Compound HP</p> <p>L: 73,3 mm H: 54,5 mm TH: 16 mm</p>
---	--



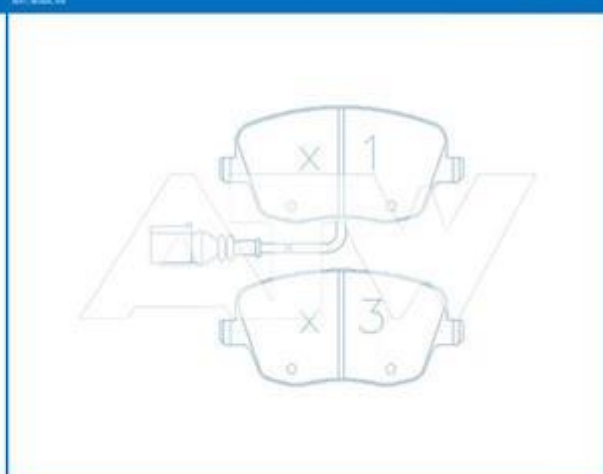
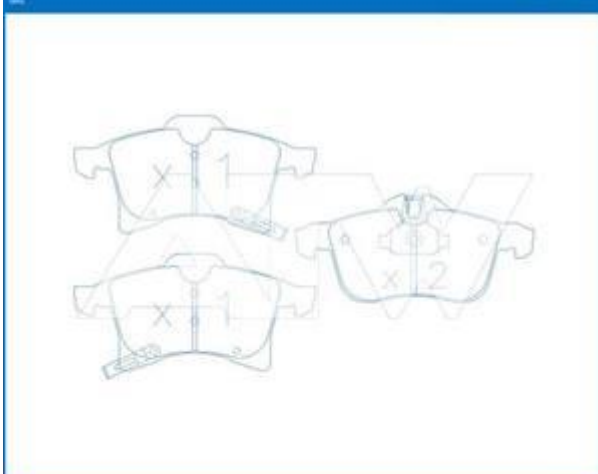
<p>Codice - Code ATW0122</p> <p>Miscela - Compound HP</p> <p>L: 156,4 mm H: 87,5 / 82,5 mm TH: 18,5 mm</p>	<p>Codice - Code ATW0122</p> <p>Miscela - Compound RC</p> <p>L: 156,4 mm H: 87,5 / 82,5 mm TH: 18,5 mm</p>
--	--



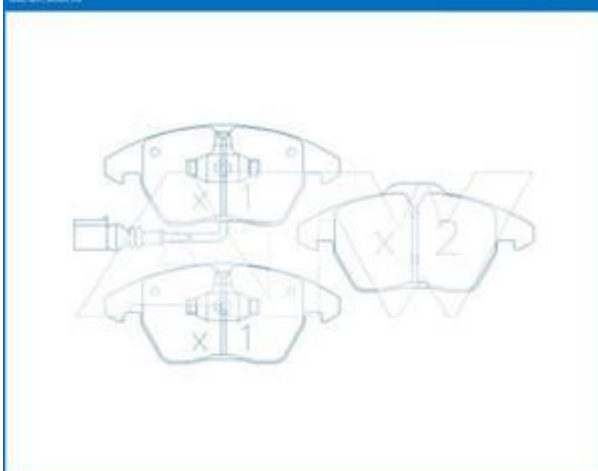
<p>Codice - Code ATW0123</p> <p>Miscela - Compound HP</p> <p>L: 156,3 / 155,1 mm H: 67 / 62,5 mm TH: 18 mm</p>	<p>Codice - Code ATW0124</p> <p>Miscela - Compound HP</p> <p>L: 156,3 / 155,1 mm H: 76 / 69,7 mm TH: 20 mm</p>
--	--



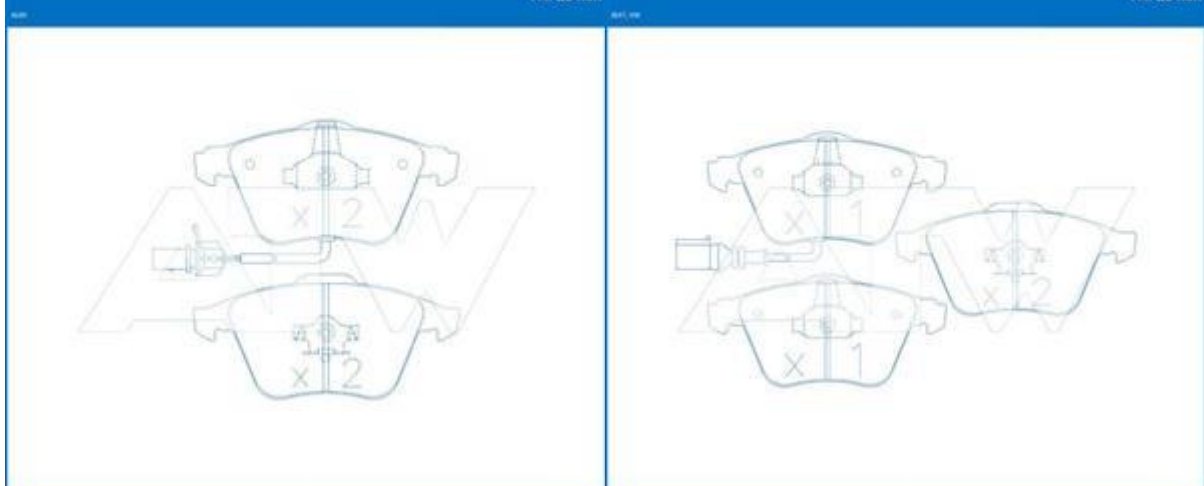
<p>Codice - Code ATW0124</p> <p>Miscela - Compound RC</p> <p>L: 156,3 / 155,1 mm H: 76 / 69,7 mm TH: 20 mm</p>	<p>Codice - Code ATW0125</p> <p>Miscela - Compound HP</p> <p>L: 131,4 mm H: 62,6 mm TH: 19 mm</p>
--	---



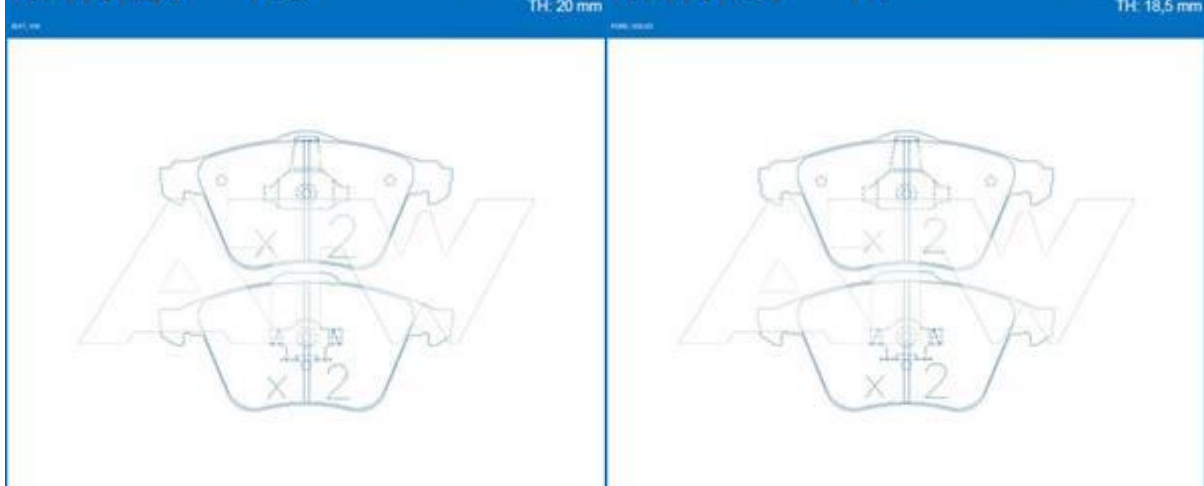
<p>Codice - Code ATW0126</p> <p>Miscela - Compound HP</p> <p>L: 156,3 / 155,1 mm H: 71,3 / 66 mm TH: 20 mm</p>	<p>Codice - Code ATW0127</p> <p>Miscela - Compound HP</p> <p>L: 156,3 / 155,1 mm H: 71,3 / 66 mm TH: 19 mm</p>
--	--



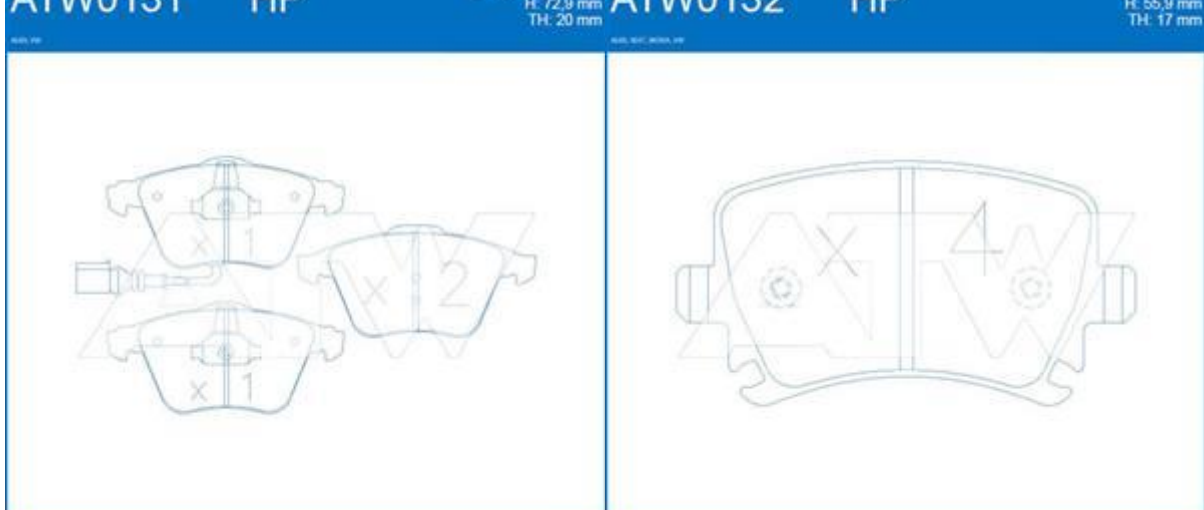
<p>Codice - Code ATW0128</p>	<p>Miscela - Compound HP</p>	<p>L: 156,3 / 155,1 mm H: 72,9 mm TH: 20 mm</p>	<p>Codice - Code ATW0129</p>	<p>Miscela - Compound HP</p>	<p>L: 156,3 / 155,1 mm H: 72,9 mm TH: 20 mm</p>
---	---	---	---	---	---



<p>Codice - Code ATW0129</p>	<p>Miscela - Compound RC</p>	<p>L: 156,3 / 155,1 mm H: 72,9 mm TH: 20 mm</p>	<p>Codice - Code ATW0130</p>	<p>Miscela - Compound HP</p>	<p>L: 156,3 / 155,1 mm H: 72,9 mm TH: 18,5 mm</p>
---	---	---	---	---	---



<p>Codice - Code ATW0131</p>	<p>Miscela - Compound HP</p>	<p>L: 156,3 / 155,1 mm H: 72,9 mm TH: 20 mm</p>	<p>Codice - Code ATW0132</p>	<p>Miscela - Compound HP</p>	<p>L: 105,3 mm H: 55,9 mm TH: 17 mm</p>
---	---	---	---	---	---



Codice - Code
ATW0133

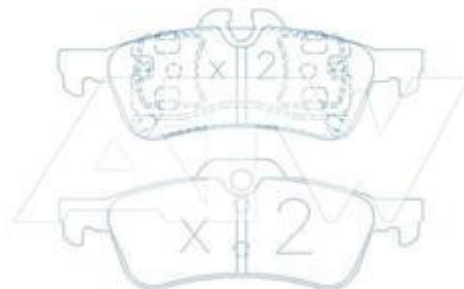
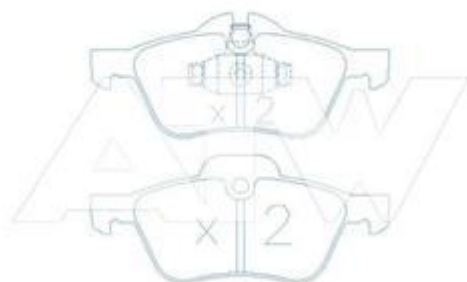
Miscela - Compound
HP

L: 140,2 mm
H: 59,7 / 58,6 mm
TH: 18 mm

Codice - Code
ATW0134

Miscela - Compound
HP

L: 123 mm
H: 43,8 mm
TH: 16,5 mm



Codice - Code
ATW0135

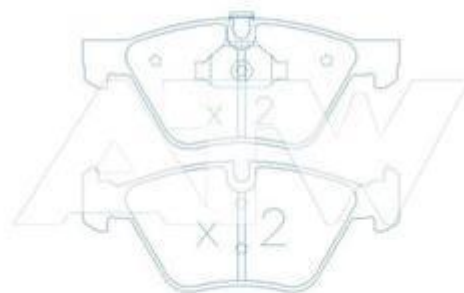
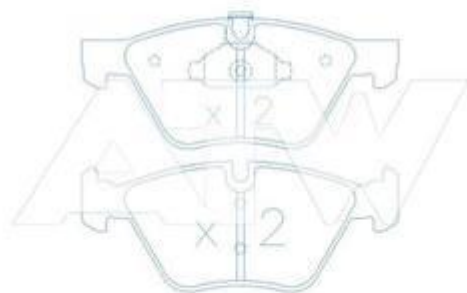
Miscela - Compound
HP

L: 154,6 / 155,1 mm
H: 63,5 mm
TH: 20 mm

Codice - Code
ATW0136

Miscela - Compound
HP

L: 154,6 / 155,1 mm
H: 63,5 mm
TH: 20 mm



Codice - Code
ATW0137

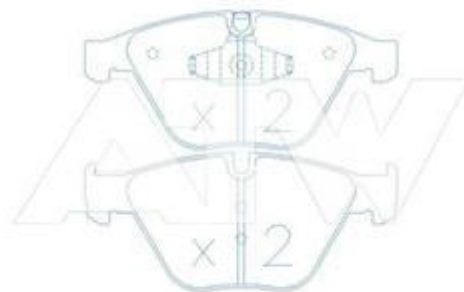
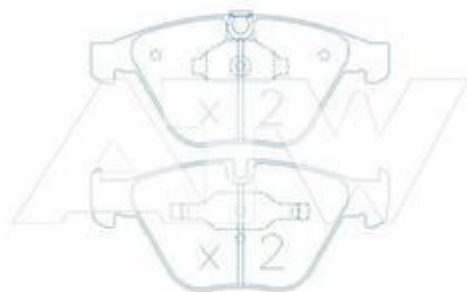
Miscela - Compound
HP

L: 155 mm
H: 68,2 mm
TH: 20 mm

Codice - Code
ATW0138

Miscela - Compound
HP

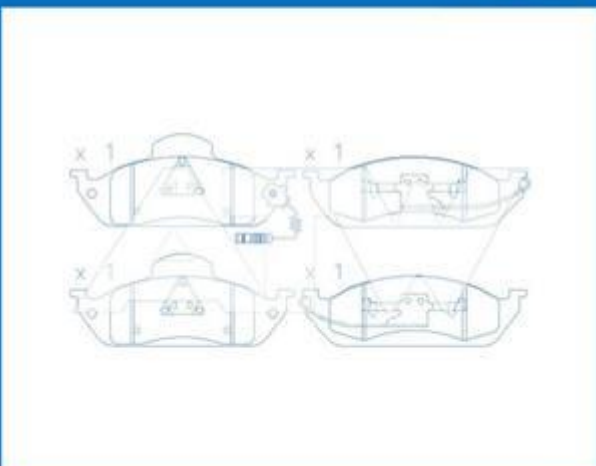
L: 155 mm
H: 68,2 mm
TH: 20 mm



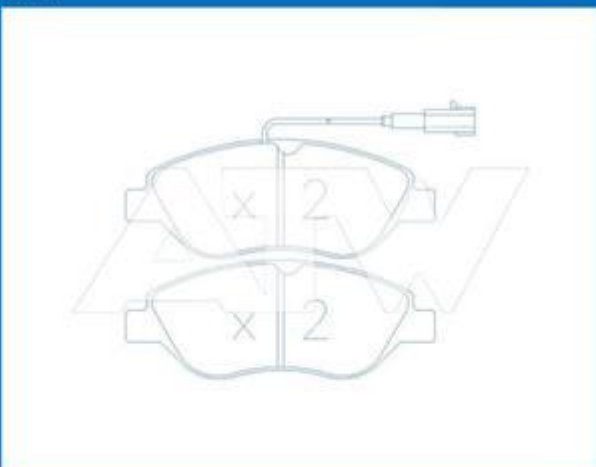
<p>Codice - Code ATW0139</p> <p>Miscela - Compound HP</p> <p>L: 150,3 mm H: 73,1 mm TH: 19 mm</p>	<p>Codice - Code ATW0140</p> <p>Miscela - Compound HP</p> <p>L: 123 mm H: 59,2 mm TH: 17 mm</p>
---	---



<p>Codice - Code ATW0141</p> <p>Miscela - Compound HP</p> <p>L: 119,5 mm H: 71,4 mm TH: 17,5 mm</p>	<p>Codice - Code ATW0142</p> <p>Miscela - Compound RC</p> <p>L: 187,8 mm H: 58,9 / 77,2 mm TH: 16,0 / 17,0 mm</p>
---	---



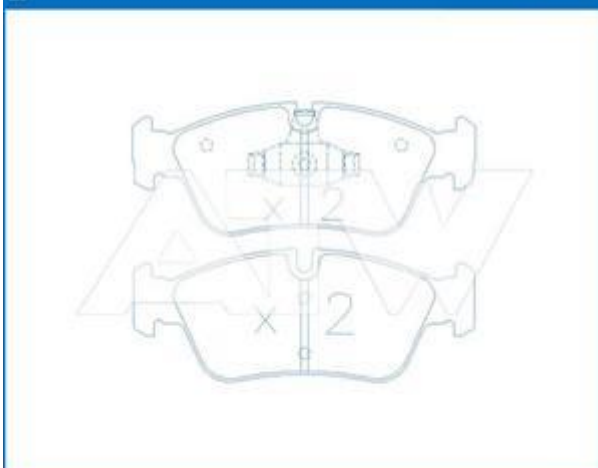
<p>Codice - Code ATW0143</p> <p>Miscela - Compound HP</p> <p>L: 140,1 mm H: 49,8 mm TH: 16 mm</p>	<p>Codice - Code ATW0144</p> <p>Miscela - Compound HP</p> <p>L: 150,7 mm H: 57,6 mm TH: 19 mm</p>
---	---



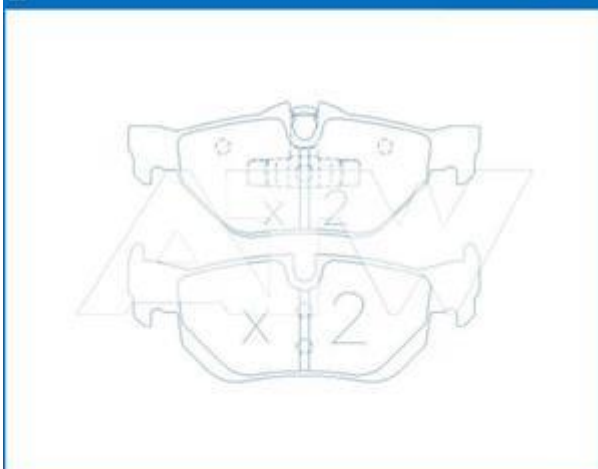
<p>Codice - Code ATW0145</p> <p>Miscela - Compound HP</p> <p>L: 122,8 mm H: 46,9 mm TH: 17,5 mm</p>	<p>Codice - Code ATW0146</p> <p>Miscela - Compound HP</p> <p>L: 94,8 mm H: 46,9 mm TH: 17,5 mm</p>
---	--



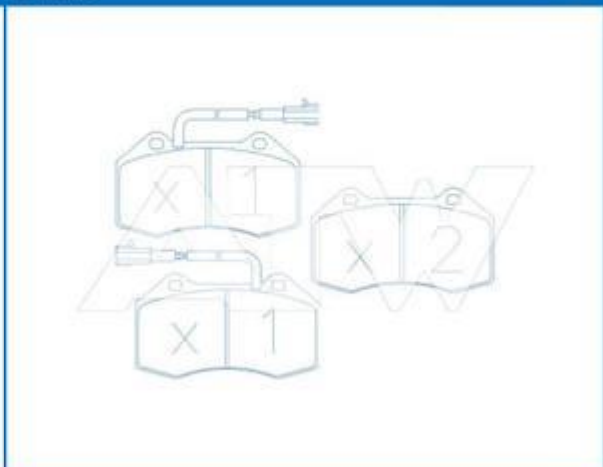
<p>Codice - Code ATW0147</p> <p>Miscela - Compound HP</p> <p>L: 149,3 / 150,1 mm H: 57,7 mm TH: 17,5 mm</p>	<p>Codice - Code ATW0148</p> <p>Miscela - Compound HP</p> <p>L: 95,2 mm H: 44,6 / 51 mm TH: 17 mm</p>
---	---



<p>Codice - Code ATW0149</p> <p>Miscela - Compound HP</p> <p>L: 123 mm H: 48,1 / 46,9 mm TH: 17 mm</p>	<p>Codice - Code ATW0150</p> <p>Miscela - Compound HP</p> <p>L: 124,8 mm H: 70,8 mm TH: 15 mm</p>
--	---



<p>Codice - Code ATW0150</p> <p>Miscela - Compound RC</p> <p>L: 124,8 mm H: 70,8 mm TH: 15 mm</p> <p>www.mil.com.it</p>	<p>Codice - Code ATW0151</p> <p>Miscela - Compound HP</p> <p>L: 124,8 mm H: 70,8 mm TH: 15 mm</p> <p>www.mil.com.it</p>
---	---



<p>Codice - Code ATW0152</p> <p>Miscela - Compound HP</p> <p>L: 124,8 mm H: 70,8 mm TH: 14 mm</p> <p>www.mil.com.it</p>	<p>Codice - Code ATW0152</p> <p>Miscela - Compound RC</p> <p>L: 124,8 mm H: 70,8 mm TH: 14 mm</p> <p>www.mil.com.it</p>
---	---



<p>Codice - Code ATW0153</p> <p>Miscela - Compound HP</p> <p>L: 190,2 mm H: 99,5 mm TH: 16,5 mm</p> <p>www.mil.com.it</p>	<p>Codice - Code ATW0154</p> <p>Miscela - Compound HP</p> <p>L: 190,2 mm H: 106,5 mm TH: 16,5 mm</p> <p>www.mil.com.it</p>
---	--



<p>Codice - Code ATW0155</p> <p>Miscela - Compound HP</p> <p>L: 112,2 mm H: 73,2 mm TH: 16,5 mm</p>	<p>Codice - Code ATW0156</p> <p>Miscela - Compound HP</p> <p>L: 121,3 mm H: 90,3 mm TH: 16,5 mm</p>
---	---



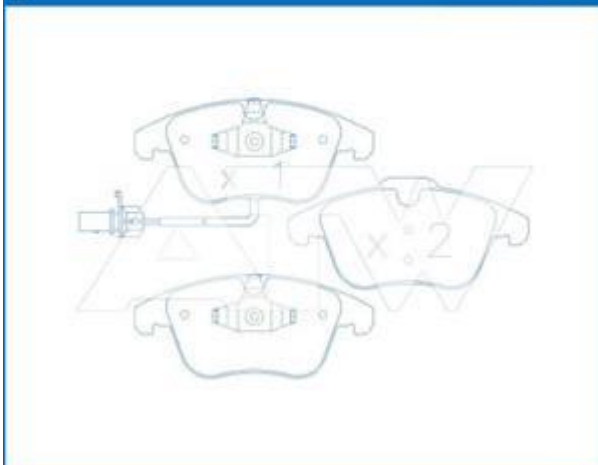
<p>Codice - Code ATW0156</p> <p>Miscela - Compound RC</p> <p>L: 121,3 mm H: 90,3 mm TH: 16,5 mm</p>	<p>Codice - Code ATW0157</p> <p>Miscela - Compound HP</p> <p>L: 114,5 mm H: 73 mm TH: 15,5 mm</p>
---	---



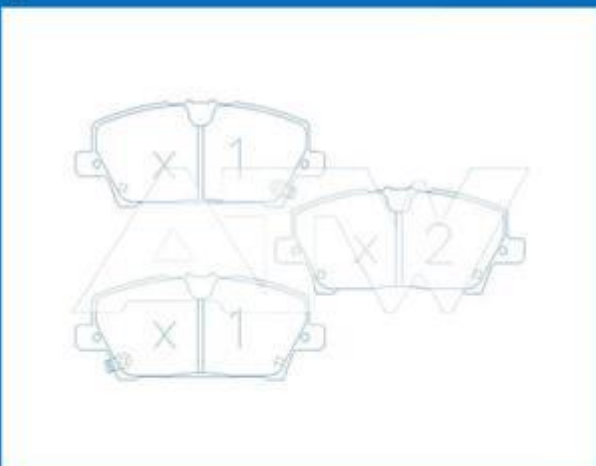
<p>Codice - Code ATW0158</p> <p>Miscela - Compound HP</p> <p>L: 131,6 mm H: 77,3 mm TH: 16,5 mm</p>	<p>Codice - Code ATW0159</p> <p>Miscela - Compound HP</p> <p>L: 131,2 mm H: 53,2 / 84,9 mm TH: 17,5 mm</p>
---	--



<p>Codice - Code ATW0160</p> <p>Miscela - Compound HP</p> <p>L: 155,2 / 155,1 mm H: 71,9 / 69,6 mm TH: 20 mm</p>	<p>Codice - Code ATW0161</p> <p>Miscela - Compound HP</p> <p>L: 156,3 / 155,1 mm H: 71,5 / 69 mm TH: 20 mm</p>
--	--



<p>Codice - Code ATW0162</p> <p>Miscela - Compound HP</p> <p>L: 101,7 mm H: 47,4 mm TH: 17,5 mm</p>	<p>Codice - Code ATW0163</p> <p>Miscela - Compound HP</p> <p>L: 131,5 mm H: 55,7 mm TH: 17,5 mm</p>
---	---



<p>Codice - Code ATW0164</p> <p>Miscela - Compound HP</p> <p>L: 95,6 mm H: 46,3 mm TH: 15,5 mm</p>	<p>Codice - Code ATW0165</p> <p>Miscela - Compound HP</p> <p>L: 120 mm H: 73,7 mm TH: 15,5 mm</p>
--	---



<p>Codice - Code ATW0166</p> <p>Miscela - Compound HP</p> <p>L: 76,8 mm H: 65,7 mm TH: 14,5 mm</p>	<p>Codice - Code ATW0167</p> <p>Miscela - Compound HP</p> <p>L: 76,8 mm H: 65,7 mm TH: 14,5 mm</p>
--	--



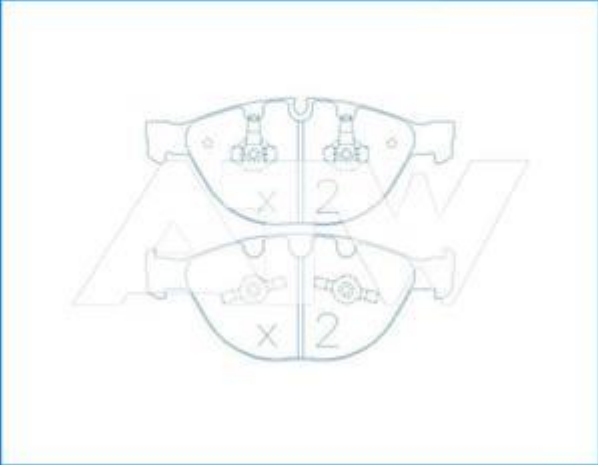
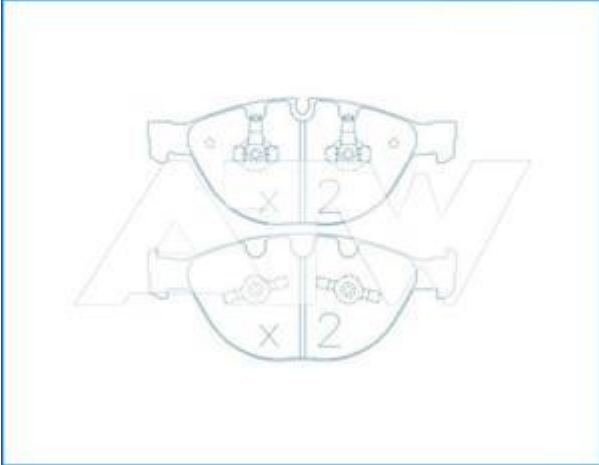
<p>Codice - Code ATW0167</p> <p>Miscela - Compound RC</p> <p>L: 76,8 mm H: 65,7 mm TH: 14,5 mm</p>	<p>Codice - Code ATW0168</p> <p>Miscela - Compound HP</p> <p>L: 131,5 mm H: 64 / 71,6 mm TH: 18 mm</p>
--	--



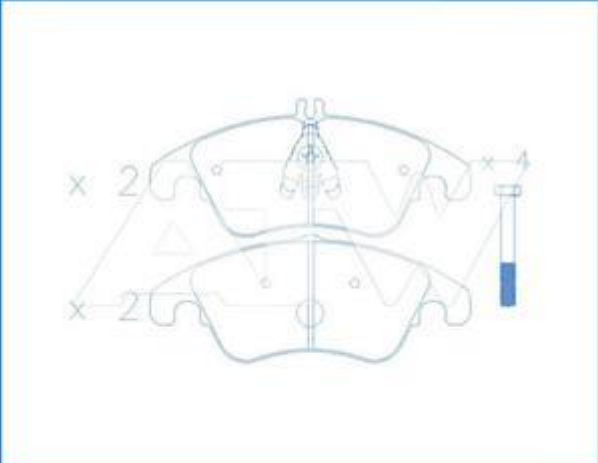
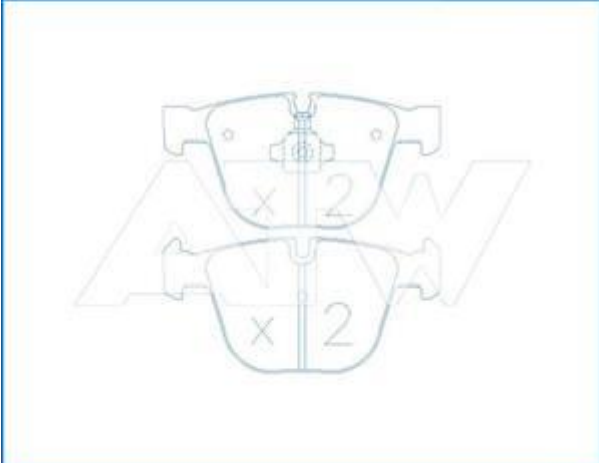
<p>Codice - Code ATW0168</p> <p>Miscela - Compound RC</p> <p>L: 131,5 mm H: 64 / 71,6 mm TH: 18 mm</p>	<p>Codice - Code ATW0169</p> <p>Miscela - Compound HP</p> <p>L: 95,3 mm H: 38,9 / 48,3 mm TH: 17 mm</p>
--	---



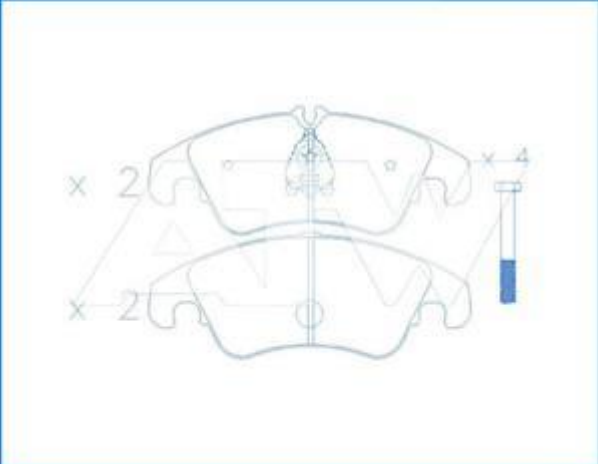
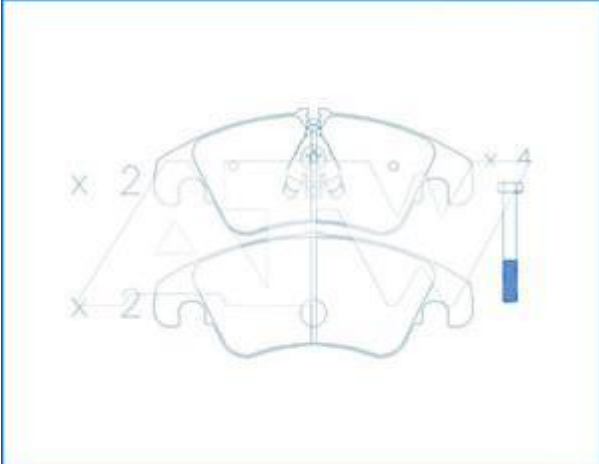
<p>Codice - Code ATW0170</p> <p>Miscela - Compound HP</p> <p>L: 193,2 mm H: 79,2 mm TH: 20,5 mm</p>	<p>Codice - Code ATW0170</p> <p>Miscela - Compound RC</p> <p>L: 193,2 mm H: 79,2 mm TH: 20,5 mm</p>
---	---



<p>Codice - Code ATW0171</p> <p>Miscela - Compound HP</p> <p>L: 139,7 mm H: 67,8 mm TH: 17 mm</p>	<p>Codice - Code ATW0172</p> <p>Miscela - Compound HP</p> <p>L: 188 mm H: 74,1 / 80,3 mm TH: 19 mm</p>
---	--



<p>Codice - Code ATW0173</p> <p>Miscela - Compound HP</p> <p>L: 188 mm H: 73,5 / 74 mm TH: 19 mm</p>	<p>Codice - Code ATW0174</p> <p>Miscela - Compound HP</p> <p>L: 188 mm H: 73,5 / 74 mm TH: 19 mm</p>
--	--

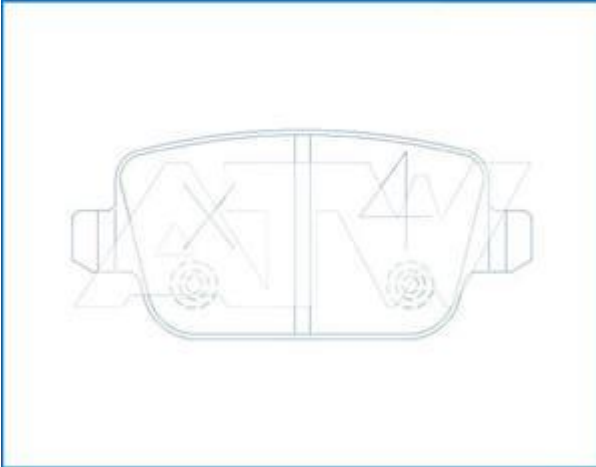


Codice - Code
ATW0175

Miscela - Compound
HP

L: 95,2 mm
H: 43,2 mm
TH: 16 mm

Model

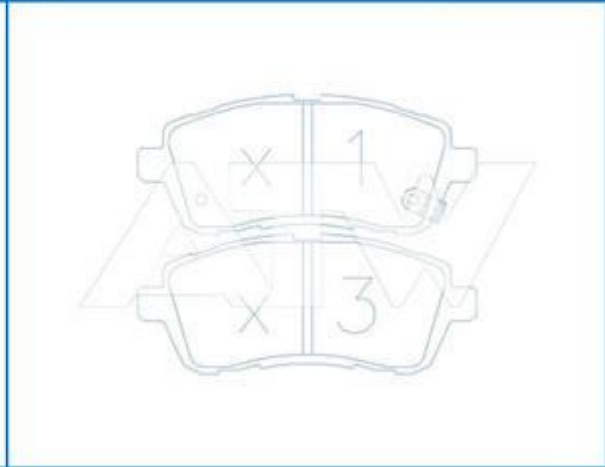


Codice - Code
ATW0176

Miscela - Compound
HP

L: 125,6 mm
H: 51,6 mm
TH: 17,5 mm

Model



Codice - Code
ATW0176

Miscela - Compound
RC

L: 125,6 mm
H: 51,6 mm
TH: 17,5 mm

Model



Codice - Code
ATW0177

Miscela - Compound
HP

L: 155,2 mm
H: 68 / 63,5 mm
TH: 18 mm

Model



Codice - Code
ATW0177

Miscela - Compound
RC

L: 155,2 mm
H: 68 / 63,5 mm
TH: 18 mm

Model



Codice - Code
ATW0178

Miscela - Compound
HP

L: 151,9 mm
H: 63,5 mm
TH: 16 mm

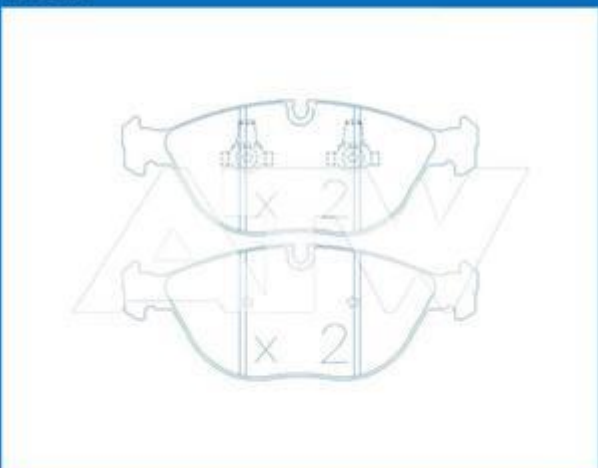
Model



<p>Codice - Code ATW0178</p> <p>Miscela - Compound RC</p> <p>L: 151,9 mm H: 63,5 mm TH: 16 mm</p>	<p>Codice - Code ATW0179</p> <p>Miscela - Compound HP</p> <p>L: 86,6 mm H: 63,8 mm TH: 14,5 mm</p>
---	--



<p>Codice - Code ATW0179</p> <p>Miscela - Compound RC</p> <p>L: 86,6 mm H: 63,8 mm TH: 14,5 mm</p>	<p>Codice - Code ATW0180</p> <p>Miscela - Compound RC</p> <p>L: 194,2 mm H: 73,4 mm TH: 20,5 mm</p>
--	---



<p>Codice - Code ATW0181</p> <p>Miscela - Compound HP</p> <p>L: 119 mm H: 75,4 mm TH: 15 mm</p>	<p>Codice - Code ATW0181</p> <p>Miscela - Compound RC</p> <p>L: 119 mm H: 75,4 mm TH: 15 mm</p>
---	---



Codice - Code

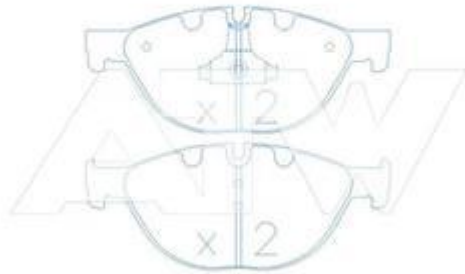
ATW0182

Miscela - Compound

HP

L: 191,9 / 192,8 mm
H: 79,3 mm
TH: 19,0 / 20,0 mm

mm



Codice - Code

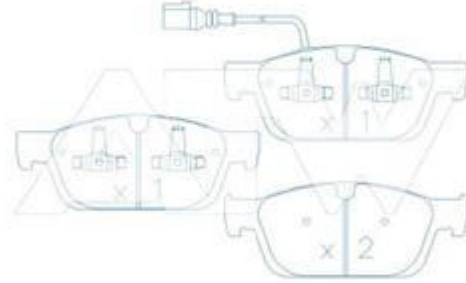
ATW0183

Miscela - Compound

HP

L: 192,8 mm
H: 75 mm
TH: 18 mm

mm



Codice - Code

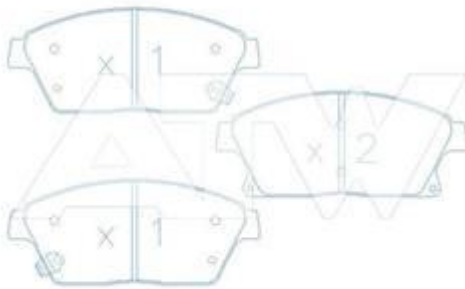
ATW0184

Miscela - Compound

HP

L: 148,1 mm
H: 61,1 mm
TH: 18,5 mm

mm



Codice - Code

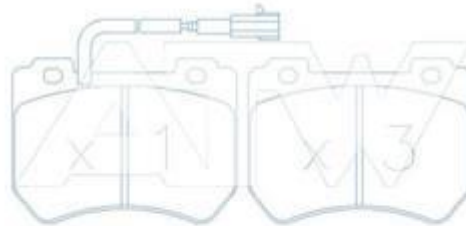
ATW0185

Miscela - Compound

HP

L: 109,6 mm
H: 80,6 mm
TH: 15,5 mm

mm



Codice - Code

ATW0186

Miscela - Compound

HP

L: 136,7 mm
H: 59,2 mm
TH: 18 mm

mm



Codice - Code

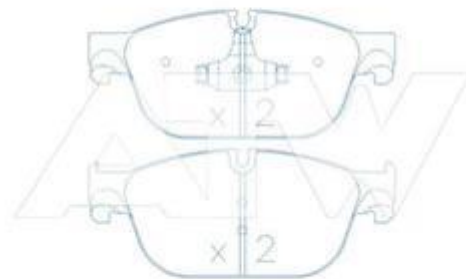
ATW0187

Miscela - Compound

HP

L: 180,1 mm
H: 74,9 mm
TH: 17 mm

mm



<p>Codice - Code ATW0188</p> <p>Miscela - Compound HP</p> <p>L: 103,7 mm H: 55,9 mm TH: 17 mm</p>	<p>Codice - Code ATW0189</p> <p>Miscela - Compound HP</p> <p>L: 146,5 mm H: 63,3 mm TH: 17,5 mm</p>
---	---



<p>Codice - Code ATW0190</p> <p>Miscela - Compound HP</p> <p>L: 131,7 mm H: 75 mm TH: 17,5 mm</p>	<p>Codice - Code ATW0190</p> <p>Miscela - Compound RC</p> <p>L: 131,7 mm H: 75 mm TH: 17,5 mm</p>
---	---



<p>Codice - Code ATW0191</p> <p>Miscela - Compound HP</p> <p>L: 131,7 mm H: 75 mm TH: 24 mm</p>	<p>Codice - Code ATW0191</p> <p>Miscela - Compound RC</p> <p>L: 131,7 mm H: 75 mm TH: 24 mm</p>
---	---



Codice - Code **ATW0192** Mescola - Compound **HP** L: 114 mm H: 78 mm TH: 15,5 mm Codice - Code **ATW0192** Mescola - Compound **RC** L: 114 mm H: 78 mm TH: 15,5 mm



Codice - Code **ATW0193** Mescola - Compound **HP** L: 121,2 mm H: 86,1 mm TH: 17 mm Codice - Code **ATW0193** Mescola - Compound **RC** L: 121,2 mm H: 86,1 mm TH: 17 mm



Codice - Code **ATW0194** Mescola - Compound **HP** L: 140,2 mm H: 89 mm TH: 17 mm Codice - Code **ATW0194** Mescola - Compound **RC** L: 140,2 mm H: 89 mm TH: 17 mm



<p>Codice - Code ATW0195</p> <p>Miscela - Compound HP</p> <p>L: 112,2 mm H: 73 mm TH: 15,5 mm</p>	<p>Codice - Code ATW0195</p> <p>Miscela - Compound RC</p> <p>L: 112,2 mm H: 73 mm TH: 15,5 mm</p>
---	---



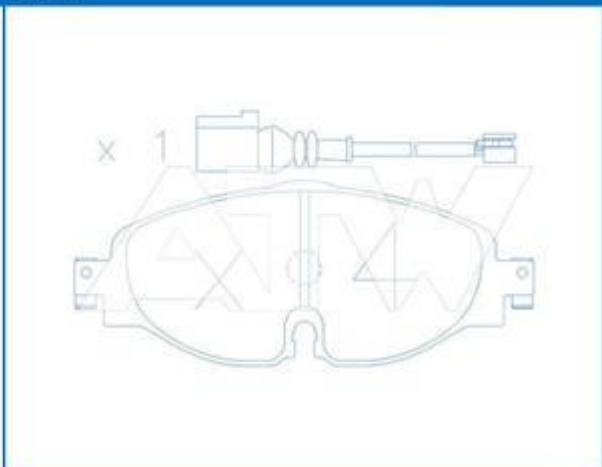
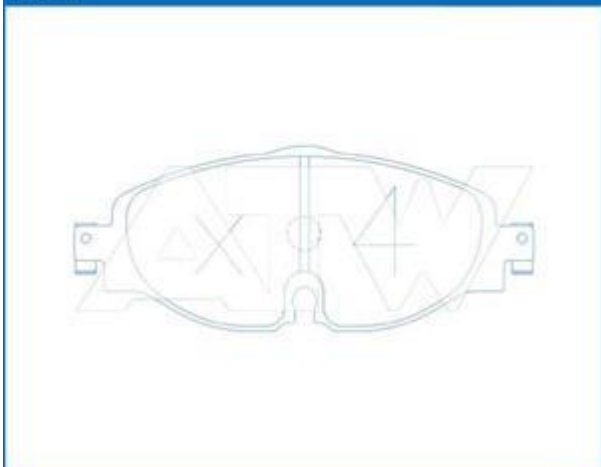
<p>Codice - Code ATW0196</p> <p>Miscela - Compound HP</p> <p>L: 155 mm H: 68,2 / 68,4 mm TH: 20 mm</p>	<p>Codice - Code ATW0197</p> <p>Miscela - Compound HP</p> <p>L: 132,8 mm H: 59,9 mm TH: 17,5 mm</p>
--	---



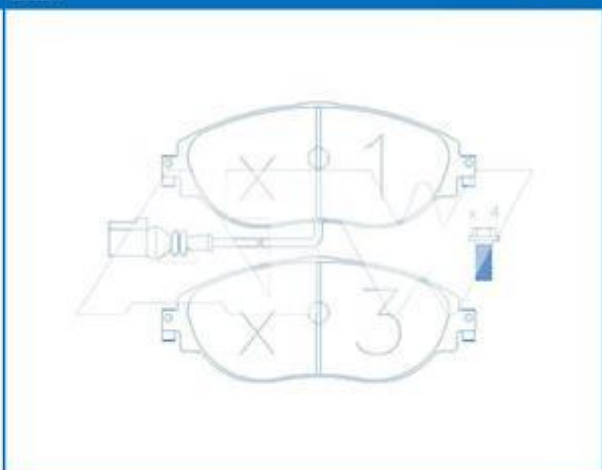
<p>Codice - Code ATW0197</p> <p>Miscela - Compound RC</p> <p>L: 132,8 mm H: 59,9 mm TH: 17,5 mm</p>	<p>Codice - Code ATW0198</p> <p>Miscela - Compound HP</p> <p>L: 160 mm H: 64,5 mm TH: 20,5 mm</p>
---	---



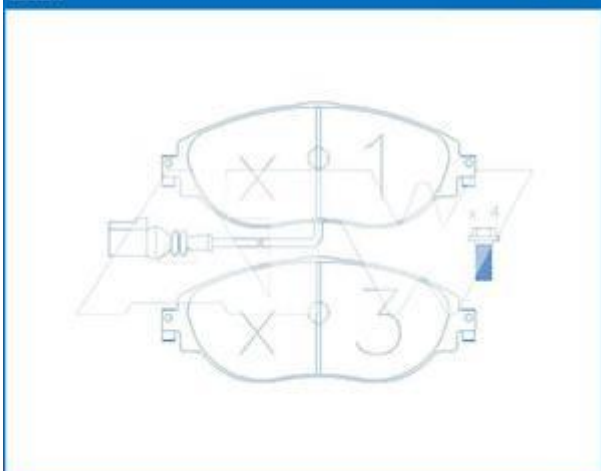
<p>Codice - Code ATW0198</p> <p>Miscela - Compound RC</p> <p>L: 160 mm H: 64,5 mm TH: 20,5 mm</p> <p>400_001_0000_00</p>	<p>Codice - Code ATW0199</p> <p>Miscela - Compound HP</p> <p>L: 160 mm H: 64,5 mm TH: 20 mm</p> <p>400_001_0000_00</p>
--	--



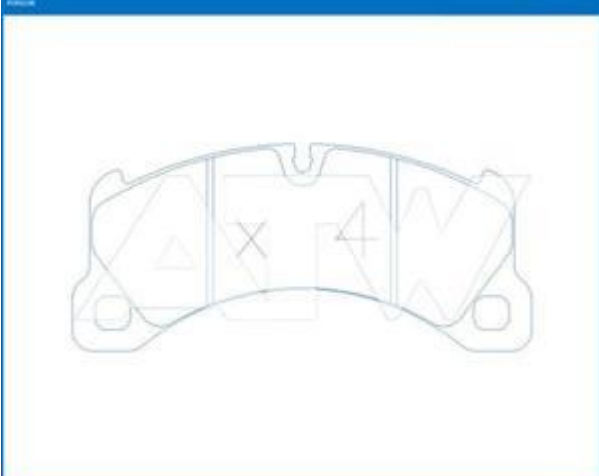
<p>Codice - Code ATW0200</p> <p>Miscela - Compound HP</p> <p>L: 123 mm H: 58,3 / 61,2 mm TH: 16 mm</p> <p>400_001_0000_00</p>	<p>Codice - Code ATW0201</p> <p>Miscela - Compound HP</p> <p>L: 174 mm H: 69,4 mm TH: 20 mm</p> <p>400_001_0000_00</p>
---	--



<p>Codice - Code ATW0201</p> <p>Miscela - Compound RC</p> <p>L: 174 mm H: 69,4 mm TH: 20 mm</p> <p>400_001_0000_00</p>	<p>Codice - Code ATW0202</p> <p>Miscela - Compound HP</p> <p>L: 116,4 mm H: 58,5 / 59,5 mm TH: 17,5 mm</p> <p>400_001_0000_00</p>
--	---



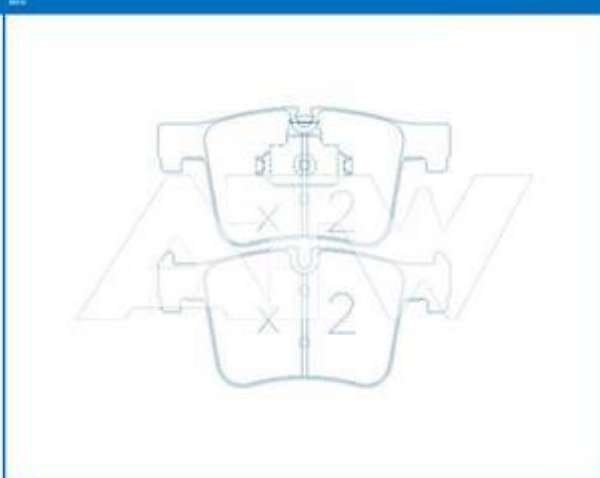
<p>Codice - Code ATW0203</p> <p>Miscela - Compound HP</p> <p>L: 209,5 mm H: 94,2 mm TH: 17 mm</p>	<p>Codice - Code ATW0204</p> <p>Miscela - Compound HP</p> <p>L: 209,5 mm H: 94,3 mm TH: 16 mm</p>
---	---



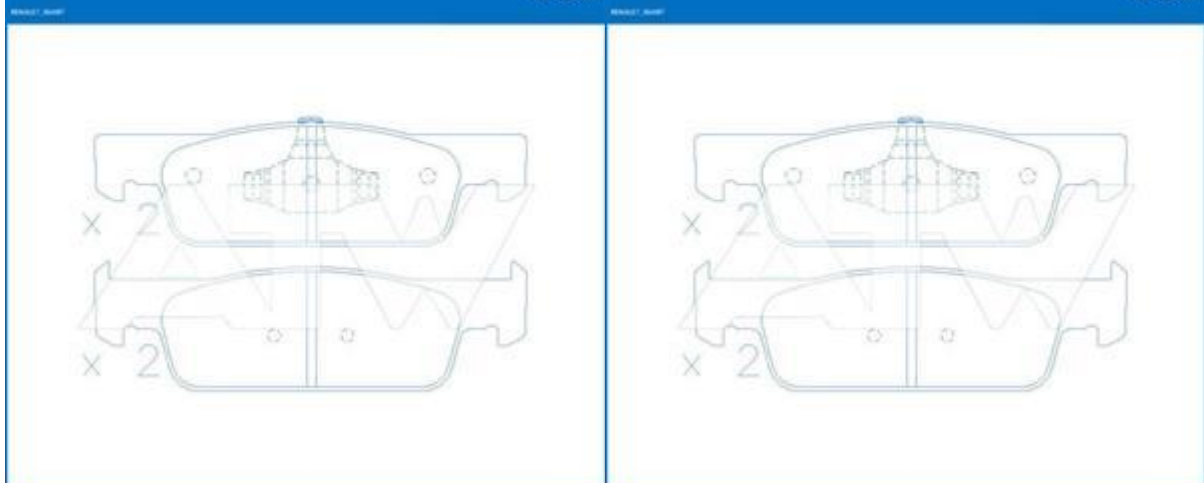
<p>Codice - Code ATW0205</p> <p>Miscela - Compound HP</p> <p>L: 187,5 mm H: 76 mm TH: 17 mm</p>	<p>Codice - Code ATW0206</p> <p>Miscela - Compound HP</p> <p>L: 187,5 mm H: 76 mm TH: 17 mm</p>
---	---



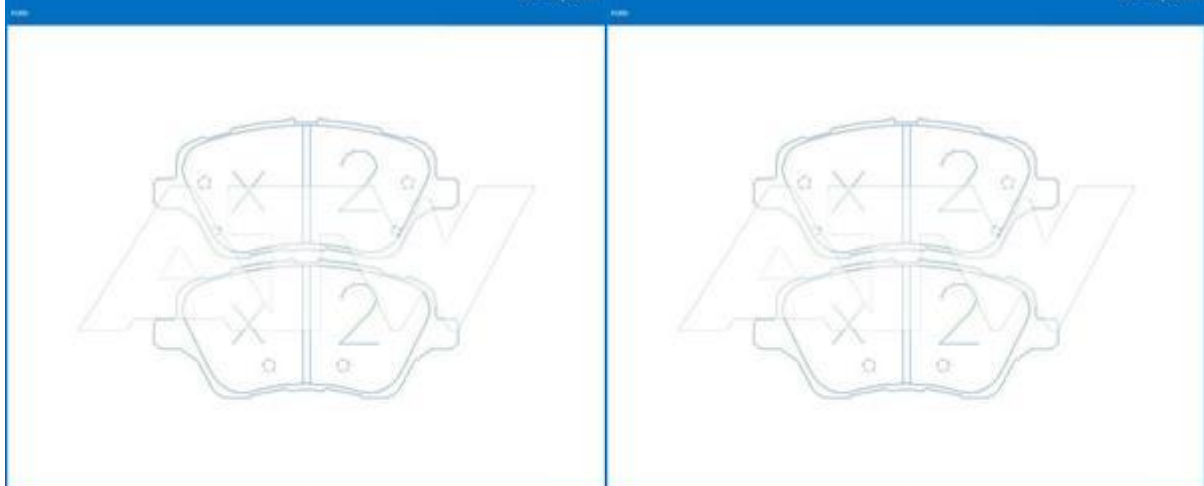
<p>Codice - Code ATW0207</p> <p>Miscela - Compound HP</p> <p>L: 155,7 / 156,7 mm H: 61,6 mm TH: 18,5 mm</p>	<p>Codice - Code ATW0208</p> <p>Miscela - Compound HP</p> <p>L: 148,2 mm H: 69,9 mm TH: 19 mm</p>
---	---



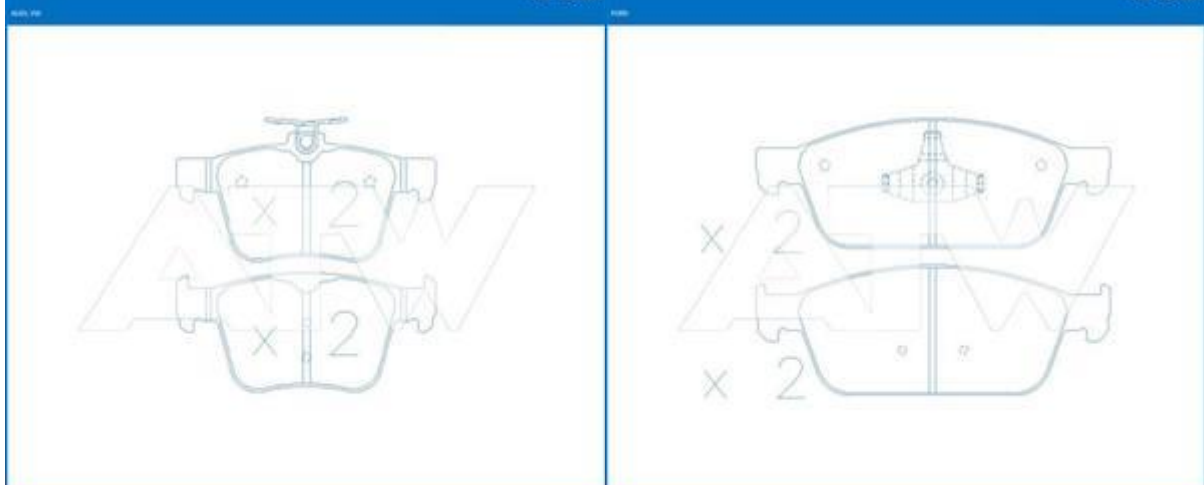
<p>Codice - Code ATW0209</p> <p>Miscela - Compound HP</p> <p>L: 140 mm H: 41,8 mm TH: 18 mm</p>	<p>Codice - Code ATW0209</p> <p>Miscela - Compound RC</p> <p>L: 140 mm H: 41,8 mm TH: 18 mm</p>
---	---



<p>Codice - Code ATW0210</p> <p>Miscela - Compound HP</p> <p>L: 131,5 mm H: 59,9 mm TH: 17,5 mm</p>	<p>Codice - Code ATW0210</p> <p>Miscela - Compound RC</p> <p>L: 131,5 mm H: 59,9 mm TH: 17,5 mm</p>
---	---



<p>Codice - Code ATW0211</p> <p>Miscela - Compound HP</p> <p>L: 123 mm H: 56,3 / 61,2 mm TH: 16 mm</p>	<p>Codice - Code ATW0212</p> <p>Miscela - Compound HP</p> <p>L: 179,8 mm H: 65,4 mm TH: 18 mm</p>
--	---



Codice - Code

ATW0213

Miscela - Compound

HP

L: 59 mm
H: 52 mm
TH: 10,5 mm

Codice - Code

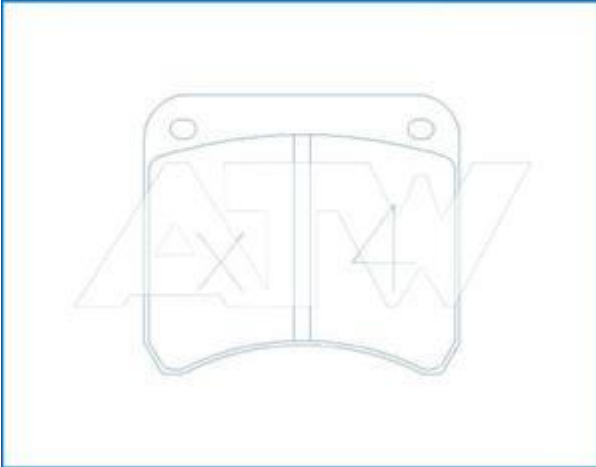
ATW0213

Miscela - Compound

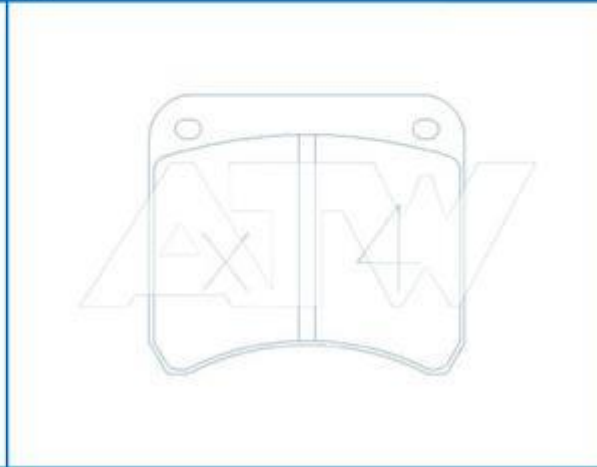
RC

L: 59 mm
H: 52 mm
TH: 10,5 mm

Model



Model



Codice - Code

ATW0214

Miscela - Compound

HP

L: 63 mm
H: 62,5 mm
TH: 14,5 mm

Codice - Code

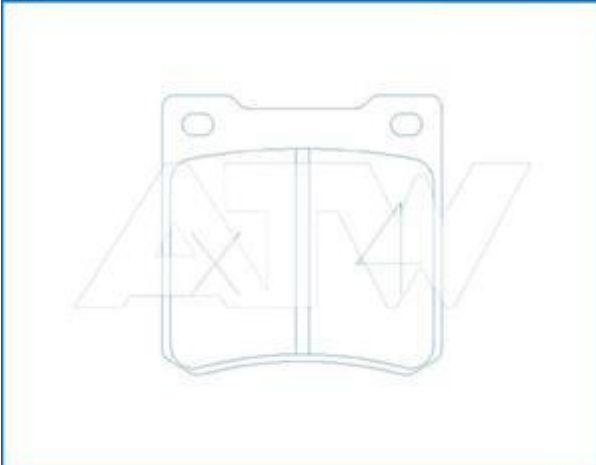
ATW0214

Miscela - Compound

RC

L: 63 mm
H: 62,5 mm
TH: 14,5 mm

Model



Model



Codice - Code

ATW0215

Miscela - Compound

HP

L: 76,7 mm
H: 71,2 mm
TH: 16,5 mm

Codice - Code

ATW0215

Miscela - Compound

RC

L: 76,7 mm
H: 71,2 mm
TH: 16,5 mm

Model



Model



Codice - Code

ATW0216

Miscela - Compound

HP

L: 131,7 mm
H: 67,3 mm
TH: 18 mm

Codice - Code

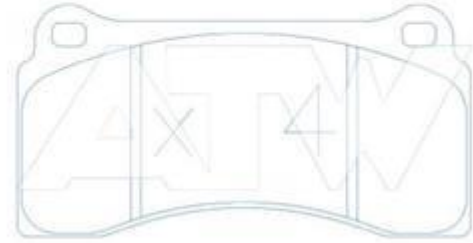
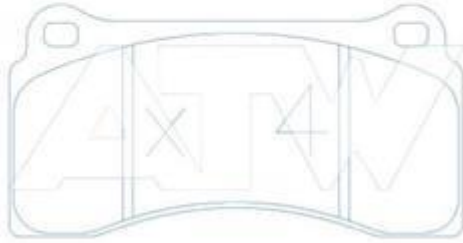
ATW0216

Miscela - Compound

RC

L: 131,7 mm
H: 67,3 mm
TH: 18 mm

SENZA CODICE, SENZA MODELLO



Codice - Code

ATW0217

Miscela - Compound

HP

L: 139,5 mm
H: 61,8 mm
TH: 17,5 mm

Codice - Code

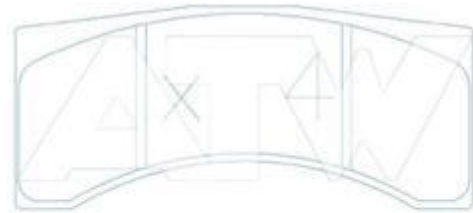
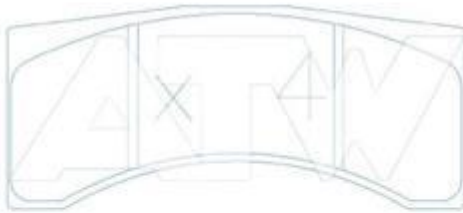
ATW0217

Miscela - Compound

RC

L: 139,5 mm
H: 61,8 mm
TH: 17,5 mm

SENZA



Codice - Code

ATW0218

Miscela - Compound

HP

L: 139,5 mm
H: 61,8 mm
TH: 16 mm

Codice - Code

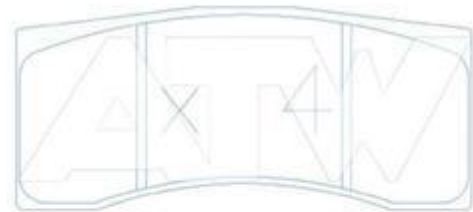
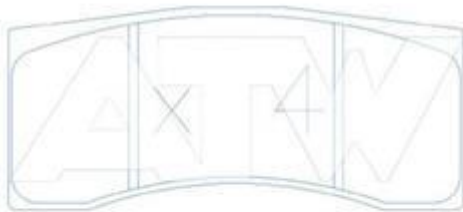
ATW0218

Miscela - Compound

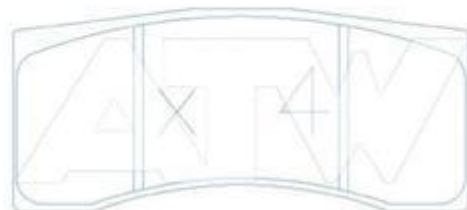
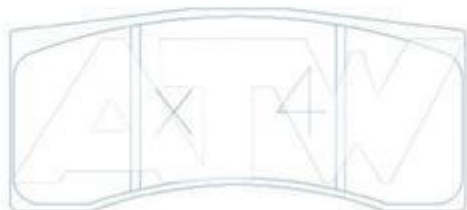
RC

L: 139,5 mm
H: 61,8 mm
TH: 16 mm

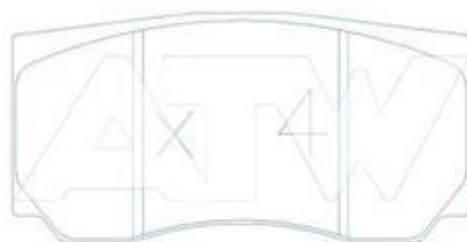
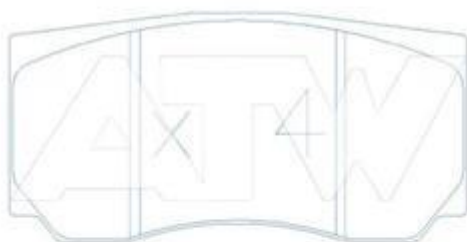
SENZA CODICE, SENZA MODELLO



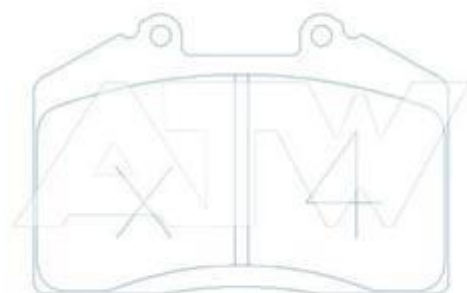
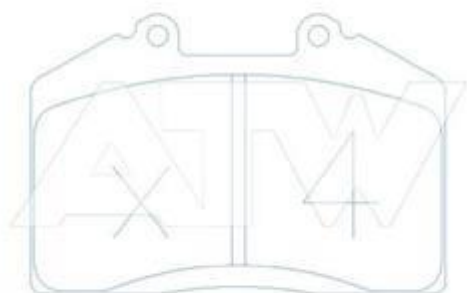
Codice - Code **ATW0222** Mescola - Compound **HP** L: 139,5 mm H: 61,8 mm TH: 28 mm Codice - Code **ATW0222** Mescola - Compound **RC** L: 139,5 mm H: 61,8 mm TH: 28 mm



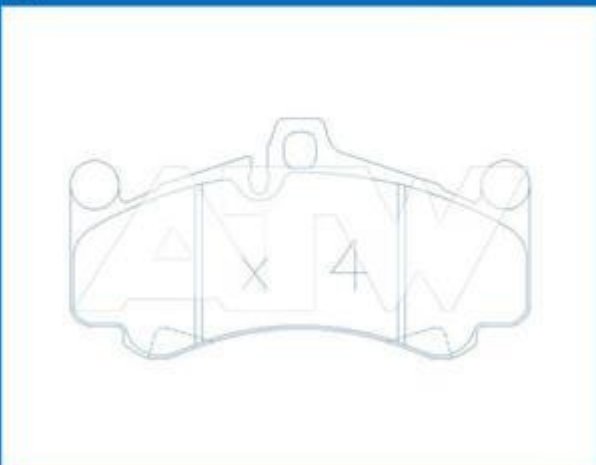
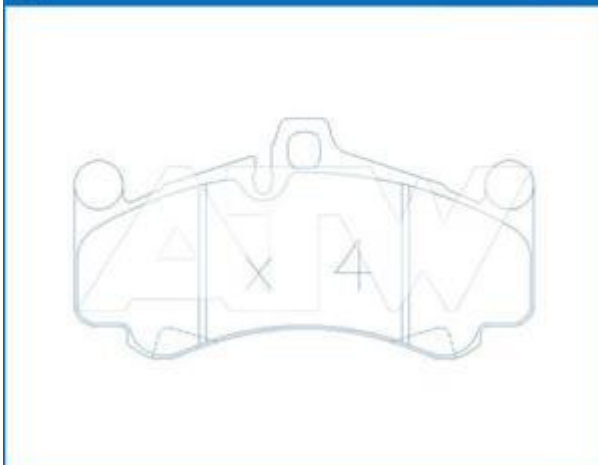
Codice - Code **ATW0223** Mescola - Compound **HP** L: 139,5 mm H: 69,7 mm TH: 17,5 mm Codice - Code **ATW0223** Mescola - Compound **RC** L: 139,5 mm H: 69,7 mm TH: 17,5 mm



Codice - Code **ATW0224** Mescola - Compound **HP** L: 97,8 mm H: 65,5 mm TH: 17 mm Codice - Code **ATW0224** Mescola - Compound **RC** L: 97,8 mm H: 65,5 mm TH: 17 mm



Codice - Code **ATW0225** Mescola - Compound **HP** L: 190 mm H: 99,6 mm TH: 17 mm Codice - Code **ATW0225** Mescola - Compound **RC** L: 190 mm H: 99,6 mm TH: 17 mm



Codice - Code **ATW0226** Mescola - Compound **HP** L: 130,5 mm H: 75,5 mm TH: 17 mm Codice - Code **ATW0226** Mescola - Compound **RC** L: 130,5 mm H: 75,5 mm TH: 17 mm



Codice - Code **ATW0227** Mescola - Compound **HP** L: 114,5 mm H: 91,2 mm TH: 18 mm Codice - Code **ATW0227** Mescola - Compound **RC** L: 114,5 mm H: 91,2 mm TH: 18 mm



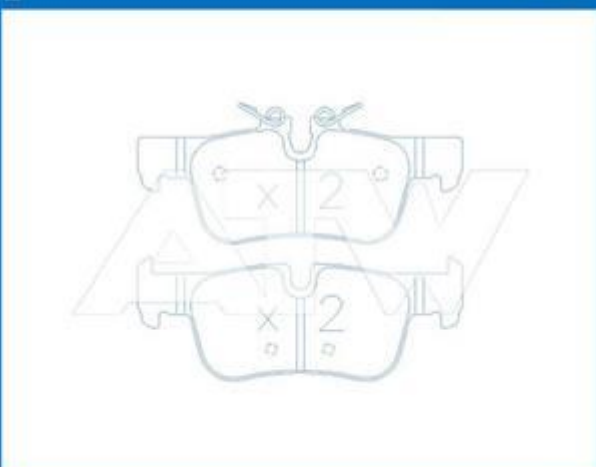
<p>Codice - Code ATW0228</p> <p>Miscela - Compound HP</p> <p>L: 114,5 mm H: 91,2 mm TH: 15 mm</p>	<p>Codice - Code ATW0229</p> <p>Miscela - Compound HP</p> <p>L: 73,8 mm H: 88 mm TH: 17 mm</p>
---	--



<p>Codice - Code ATW0229</p> <p>Miscela - Compound RC</p> <p>L: 73,8 mm H: 88 mm TH: 17 mm</p>	<p>Codice - Code ATW0230</p> <p>Miscela - Compound HP</p> <p>L: 199,3 mm H: 73,9 mm TH: 16,5 mm</p>
--	---



<p>Codice - Code ATW0230</p> <p>Miscela - Compound RC</p> <p>L: 199,3 mm H: 73,9 mm TH: 16,5 mm</p>	<p>Codice - Code ATW0231</p> <p>Miscela - Compound HP</p> <p>L: 123 mm H: 46,6 / 47,9 mm TH: 16 mm</p>
---	--



<p>Codice - Code ATW0232</p> <p>Miscela - Compound HP</p> <p>L: 97,3 mm H: 73,9 mm TH: 17 mm</p> <p>Miscela - Compound ATW0233</p> <p>HP</p> <p>L: 97,3 mm H: 73,9 mm TH: 17 mm</p>
--



<p>Codice - Code ATW0234</p> <p>Miscela - Compound HP</p> <p>L: 131,7 mm H: 67,3 mm TH: 18 mm</p> <p>Miscela - Compound ATW0235</p> <p>HP</p> <p>L: 143,4 mm H: 56,4 mm TH: 18,5 mm</p>
--



<p>Codice - Code ATW0235</p> <p>Miscela - Compound RC</p> <p>L: 143,4 mm H: 56,4 mm TH: 18,5 mm</p> <p>Miscela - Compound ATW0236</p> <p>HP</p> <p>L: 143,4 mm H: 56,4 mm TH: 16 mm</p>
--



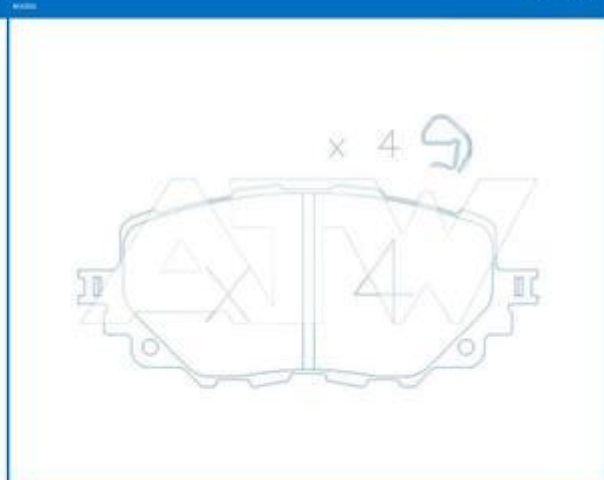
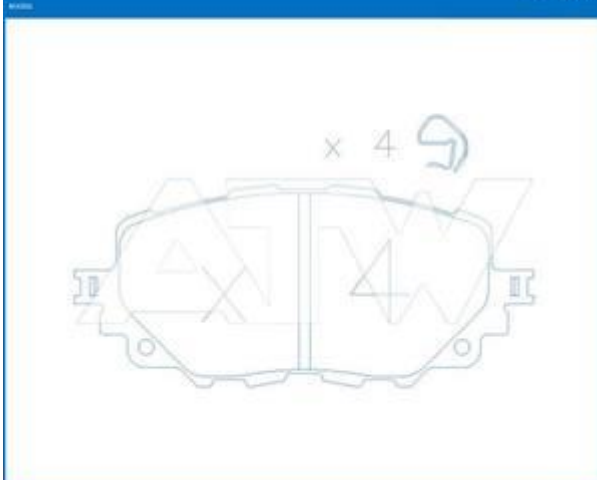
Codice - Code **ATW0236** Mescola - Compound **RC** L: 143,4 mm H: 56,4 mm TH: 16 mm Codice - Code **ATW0237** Mescola - Compound **HP** L: 84,8 mm H: 44,4 mm TH: 13 mm



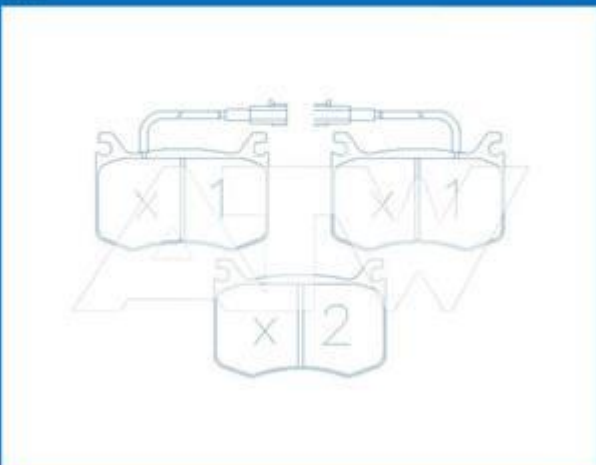
Codice - Code **ATW0238** Mescola - Compound **HP** L: 149,5 mm H: 59,5 mm TH: 18,5 mm Codice - Code **ATW0238** Mescola - Compound **RC** L: 149,5 mm H: 59,5 mm TH: 18,5 mm



Codice - Code **ATW0239** Mescola - Compound **HP** L: 122,3 mm H: 53,5 mm TH: 15 mm Codice - Code **ATW0239** Mescola - Compound **RC** L: 122,3 mm H: 53,5 mm TH: 15 mm



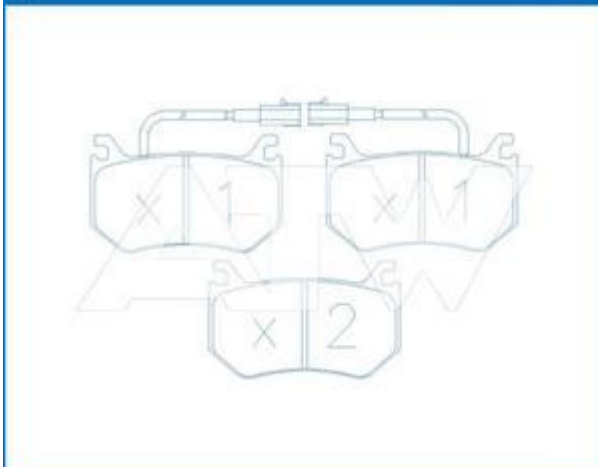
<p>Codice - Code ATW0240</p> <p>Miscela - Compound HP</p> <p>L: 132,5 mm H: 50,3 mm TH: 17 mm</p>	<p>Codice - Code ATW0241</p> <p>Miscela - Compound HP</p> <p>L: 114,5 mm H: 77,1 mm TH: 15,5 mm</p>
---	---



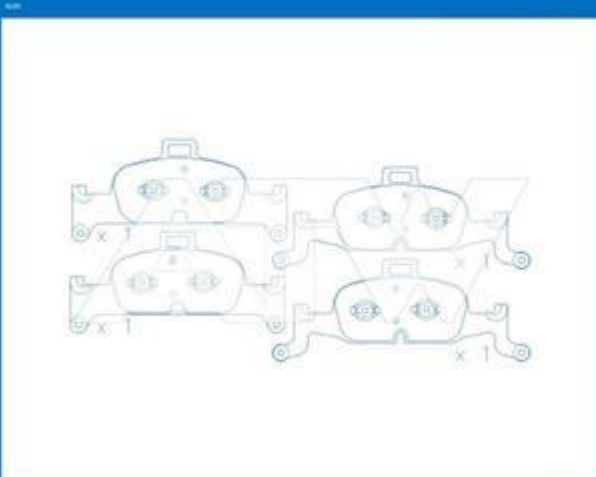
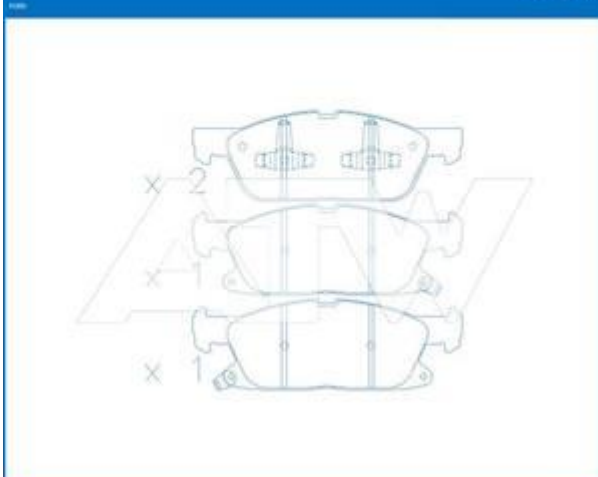
<p>Codice - Code ATW0242</p> <p>Miscela - Compound HP</p> <p>L: 131,5 mm H: 78,5 mm TH: 16 mm</p>	<p>Codice - Code ATW0243</p> <p>Miscela - Compound HP</p> <p>L: 122,8 mm H: 55,8 / 59,3 mm TH: 16 mm</p>
---	--



<p>Codice - Code ATW0244</p> <p>Miscela - Compound HP</p> <p>L: 114,7 mm H: 70,2 mm TH: 16 mm</p>	<p>Codice - Code ATW0245</p> <p>Miscela - Compound HP</p> <p>L: 131,9 mm H: 64 mm TH: 15,5 mm</p>
---	---



<p>Codice - Code ATW0246</p> <p>Miscela - Compound HP</p> <p>L: 193,1 mm H: 64,6 mm TH: 19 mm</p>	<p>Codice - Code ATW0247</p> <p>Miscela - Compound HP</p> <p>L: 251,8 / 210 mm H: 98,7 / 90 mm TH: 16 mm</p>
---	--



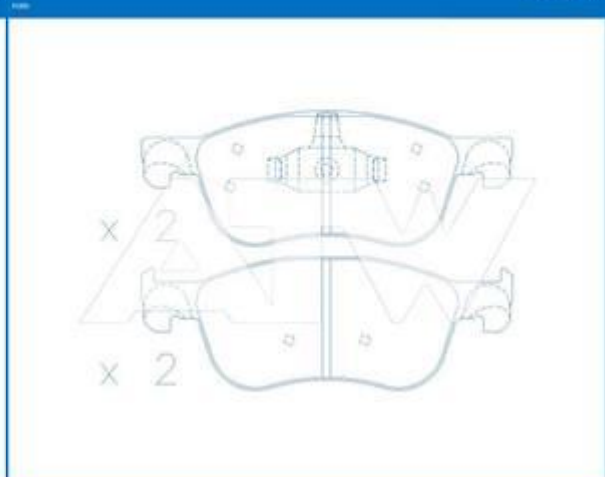
<p>Codice - Code ATW0248</p> <p>Miscela - Compound HP</p> <p>L: 210 mm H: 88,3 mm TH: 16,5 mm</p>	<p>Codice - Code ATW0249</p> <p>Miscela - Compound HP</p> <p>L: 194 mm H: 73,9 mm TH: 16,5 mm</p>
---	---



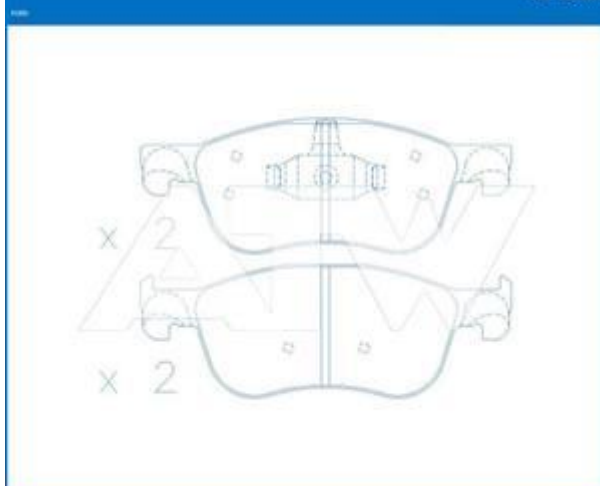
<p>Codice - Code ATW0250</p> <p>Miscela - Compound HP</p> <p>L: 129,2 mm H: 59 mm TH: 17 mm</p>	<p>Codice - Code ATW0251</p> <p>Miscela - Compound HP</p> <p>L: 141,6 mm H: 92,2 mm TH: 16,5 mm</p>
---	---



<p>Codice - Code ATW0252</p> <p>Miscela - Compound HP</p> <p>L: 131,5 mm H: 78,5 mm TH: 16 mm</p>	<p>Codice - Code ATW0253</p> <p>Miscela - Compound HP</p> <p>L: 155,1 mm H: 55,3 / 56,3 mm TH: 16 mm</p>
---	--



<p>Codice - Code ATW0253</p> <p>Miscela - Compound RC</p> <p>L: 155,1 mm H: 55,3 / 56,3 mm TH: 16 mm</p>	<p>Codice - Code ATW0254</p> <p>Miscela - Compound HP</p> <p>L: 125,9 mm H: 94,8 mm TH: 20 mm</p>
--	---



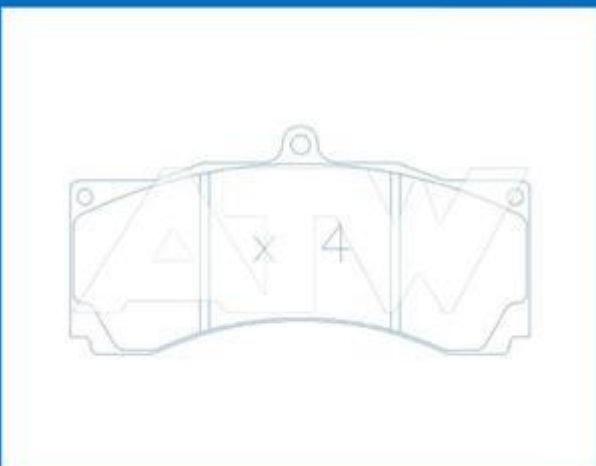
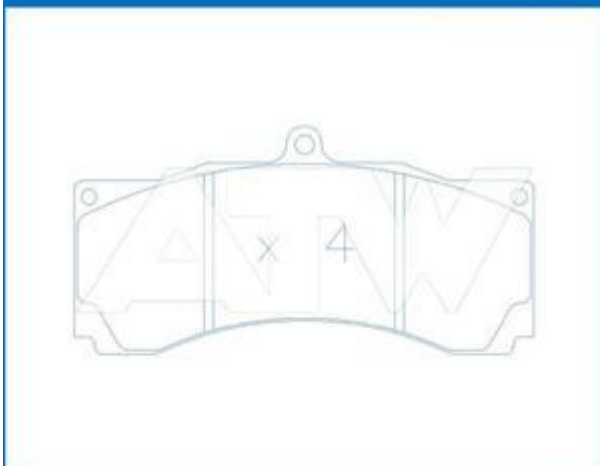
<p>Codice - Code ATW0255</p> <p>Miscela - Compound HP</p> <p>L: 110,1 mm H: 39,8 mm TH: 18 mm</p>	<p>Codice - Code ATW0255</p> <p>Miscela - Compound RC</p> <p>L: 110,1 mm H: 39,8 mm TH: 18 mm</p>
---	---



<p>Codice - Code ATW0256</p> <p>Miscela - Compound HP</p> <p>L: 175,3 mm H: 92,7 mm TH: 16,5 mm</p>	<p>Codice - Code ATW0256</p> <p>Miscela - Compound RC</p> <p>L: 175,3 mm H: 92,7 mm TH: 16,5 mm</p>
---	---



<p>Codice - Code ATW0257</p> <p>Miscela - Compound HP</p> <p>L: 151,8 mm H: 75 mm TH: 18 mm</p>	<p>Codice - Code ATW0257</p> <p>Miscela - Compound RC</p> <p>L: 151,8 mm H: 75 mm TH: 18 mm</p>
---	---



<p>Codice - Code ATW0258</p> <p>Miscela - Compound HP</p> <p>L: 189,7 mm H: 92,9 mm TH: 18,5 mm</p>	<p>Codice - Code ATW0259</p> <p>Miscela - Compound HP</p> <p>L: 131,8 mm H: 71,7 mm TH: 18,5 mm</p>
---	---

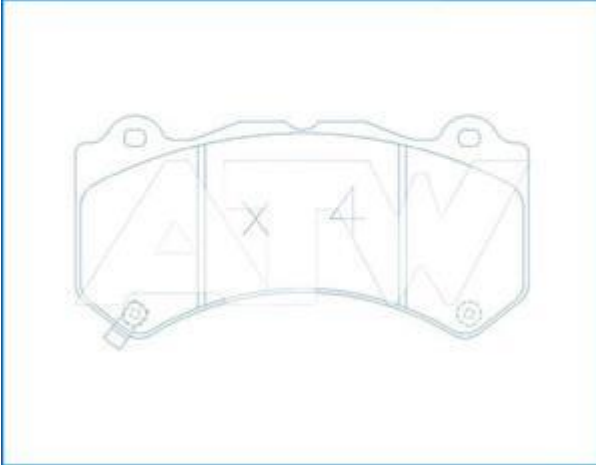


Codice - Code
ATW0260

Miscela - Compound
HP

L: 189,7 mm
H: 92,9 mm
TH: 16 mm

HP-1000_001

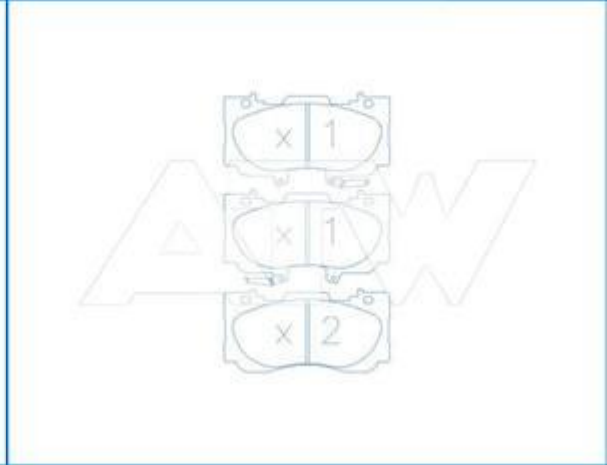


Codice - Code
ATW0261

Miscela - Compound
HP

L: 163 mm
H: 80,9 / 90,3 mm
TH: 18 mm

HP-1000



Codice - Code
ATW0262

Miscela - Compound
HP

L: 126,5 mm
H: 47,4 mm
TH: 17 mm

HP-1000

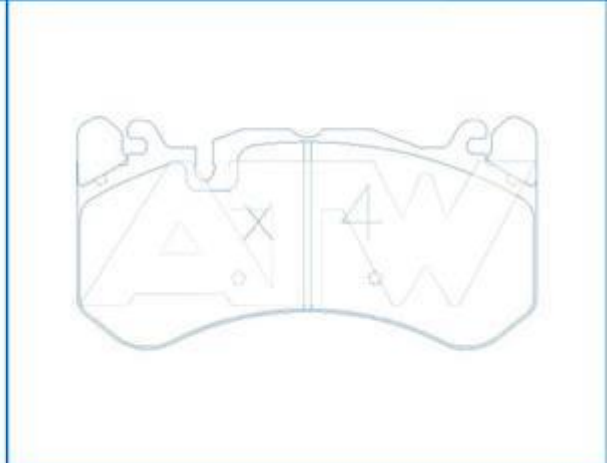


Codice - Code
ATW0263

Miscela - Compound
HP

L: 188 mm
H: 93,2 mm
TH: 16,5 mm

HP-1000

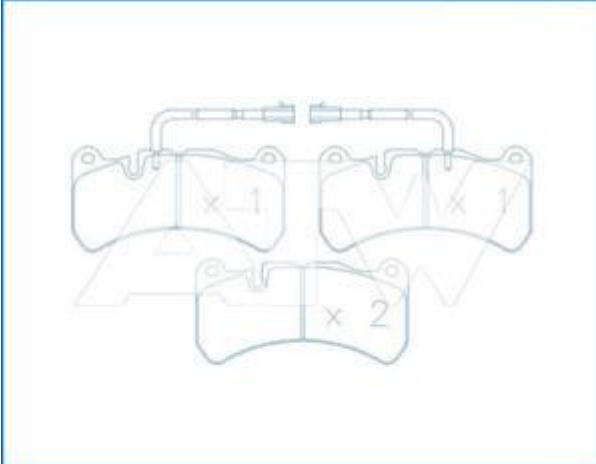


Codice - Code
ATW0264

Miscela - Compound
HP

L: 164,5 mm
H: 81,4 mm
TH: 16 mm

HP-1000

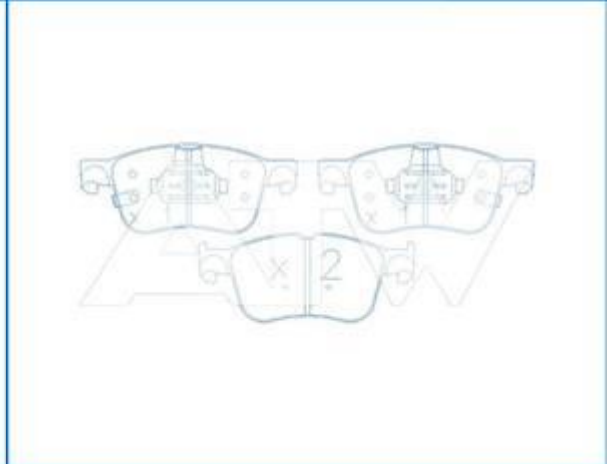


Codice - Code
ATW0265

Miscela - Compound
HP

L: 155,1 mm
H: 64,2 mm
TH: 16,5 mm

HP-1000



Codice - Code
ATW0266

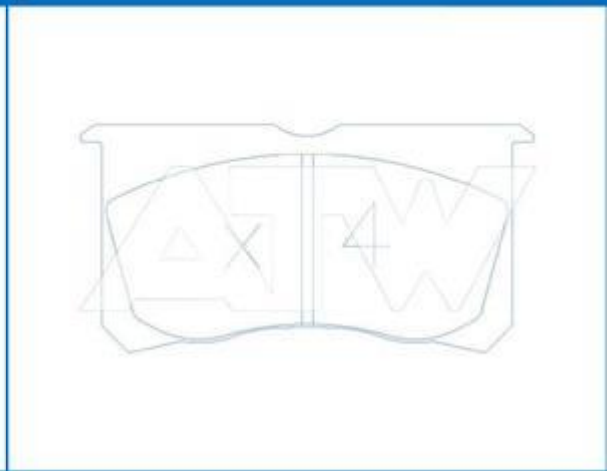
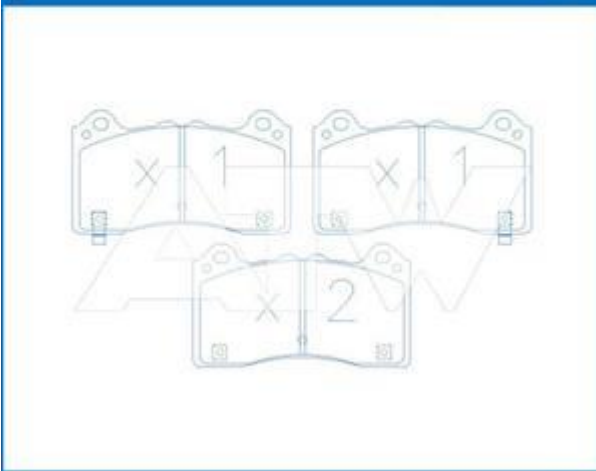
Miscela - Compound
HP

L: 137,7 mm
H: 77,3 mm
TH: 15 mm

Codice - Code
ATW0267

Miscela - Compound
HP

L: 133,2 mm
H: 66,9 mm
TH: 20,5 mm



Codice - Code
ATW0267

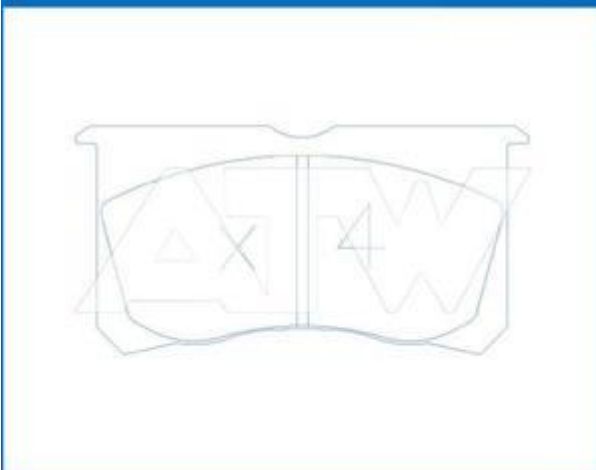
Miscela - Compound
RC

L: 133,2 mm
H: 66,9 mm
TH: 20,5 mm

Codice - Code
ATW0268

Miscela - Compound
HP

L: 140,6 mm
H: 61,4 mm
TH: 20 mm



Codice - Code
ATW0269

Miscela - Compound
HP

L: 112,6 mm
H: 51,8 mm
TH: 16,5 mm

Codice - Code
ATW0270

Miscela - Compound
HP

L: 199,5 mm
H: 79,3 mm
TH: 17,5 mm



Codice - Code **ATW0270** Mescola - Compound **RC** L: 190,5 mm H: 79,3 mm TH: 17,5 mm Codice - Code **ATW0271** Mescola - Compound **HP** L: 190 mm H: 74,9 mm TH: 17 mm



Codice - Code **ATW0271** Mescola - Compound **RC** L: 198 mm H: 74,9 mm TH: 17 mm Codice - Code **ATW0272** Mescola - Compound **HP** L: 198,1 mm H: 80,2 mm TH: 17 mm



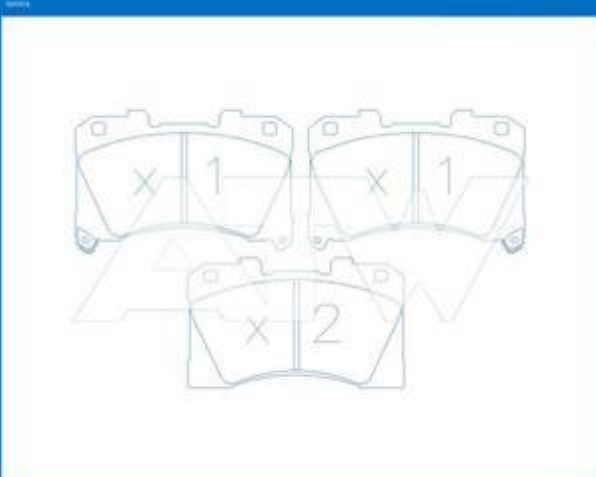
Codice - Code **ATW0272** Mescola - Compound **RC** L: 198,1 mm H: 80,2 mm TH: 17 mm Codice - Code **ATW0273** Mescola - Compound **HP** L: 187,6 mm H: 81,9 mm TH: 16 mm



<p>Codice - Code ATW0273</p> <p>Miscela - Compound RC</p> <p>L: 187,6 mm H: 81,9 mm TH: 16 mm</p>	<p>Codice - Code ATW0274</p> <p>Miscela - Compound HP</p> <p>L: 154,6 mm H: 95,3 mm TH: 16,5 mm</p>
---	---



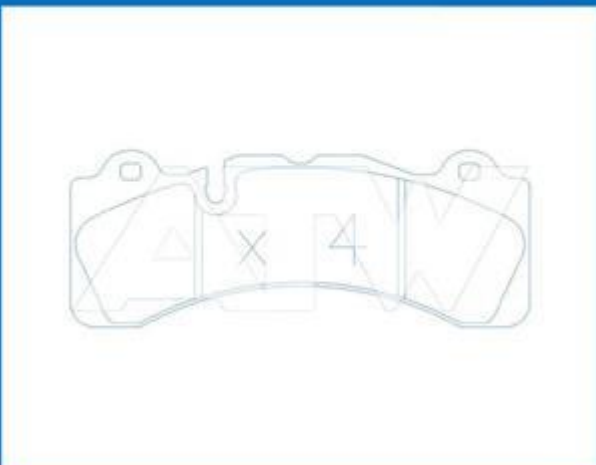
<p>Codice - Code ATW0275</p> <p>Miscela - Compound HP</p> <p>L: 177,6 mm H: 91,2 mm TH: 16,5 mm</p>	<p>Codice - Code ATW0276</p> <p>Miscela - Compound HP</p> <p>L: 133,5 mm H: 79,6 / 85,6 mm TH: 14,5 mm</p>
---	--



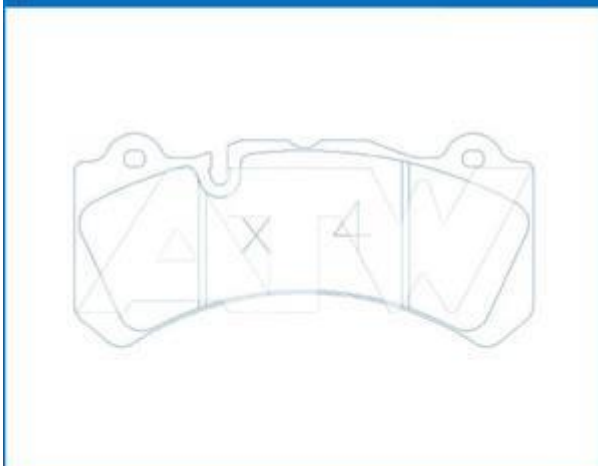
<p>Codice - Code ATW0276</p> <p>Miscela - Compound RC</p> <p>L: 133,5 mm H: 79,6 / 85,6 mm TH: 14,5 mm</p>	<p>Codice - Code ATW0277</p> <p>Miscela - Compound HP</p> <p>L: 75 mm H: 66,7 / 71,2 mm TH: 14,5 mm</p>
--	---



<p>Codice - Code ATW0277</p> <p>Miscela - Compound RC</p> <p>L: 75 mm H: 66,7 / 71,2 mm TH: 14,5 mm</p>	<p>Codice - Code ATW0278</p> <p>Miscela - Compound HP</p> <p>L: 189,5 mm H: 73 mm TH: 17 mm</p>
---	---



<p>Codice - Code ATW0279</p> <p>Miscela - Compound HP</p> <p>L: 189,5 mm H: 87,6 mm TH: 17 mm</p>	<p>Codice - Code ATW0279</p> <p>Miscela - Compound RC</p> <p>L: 189,5 mm H: 87,6 mm TH: 17 mm</p>
---	---



<p>Codice - Code ATW0280</p> <p>Miscela - Compound HP</p> <p>L: 70 mm H: 58,8 mm TH: 14,5 mm</p>	<p>Codice - Code ATW0280</p> <p>Miscela - Compound RC</p> <p>L: 70 mm H: 58,8 mm TH: 14,5 mm</p>
--	--



Codice - Code	Miscela - Compound	L: 103,7 mm H: 45,6 mm TH: 16 mm	Codice - Code	Miscela - Compound	L: 103,7 mm H: 45,6 mm TH: 16 mm
---------------	--------------------	--	---------------	--------------------	--



Codice - Code	Miscela - Compound	L: 151,9 mm H: 68,6 mm TH: 16 mm	Codice - Code	Miscela - Compound	L: 151,9 mm H: 68,6 mm TH: 16 mm
---------------	--------------------	--	---------------	--------------------	--



Codice - Code	Miscela - Compound	L: 151,9 mm H: 68,6 mm TH: 18 mm	Codice - Code	Miscela - Compound	L: 151,9 mm H: 68,6 mm TH: 18 mm
---------------	--------------------	--	---------------	--------------------	--



Codice - Code
ATW0284

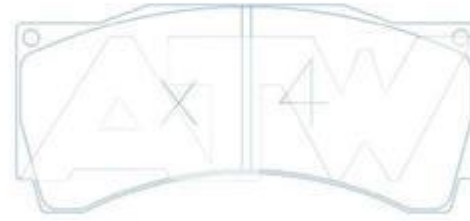
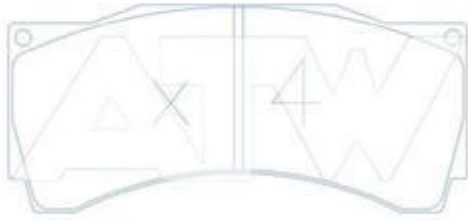
Miscela - Compound
HP

L: 151,9 mm
H: 68,8 mm
TH: 25 mm

Codice - Code
ATW0284

Miscela - Compound
RC

L: 151,9 mm
H: 68,8 mm
TH: 25 mm



Codice - Code
ATW0285

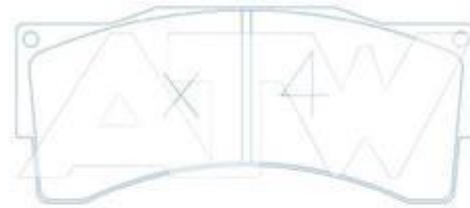
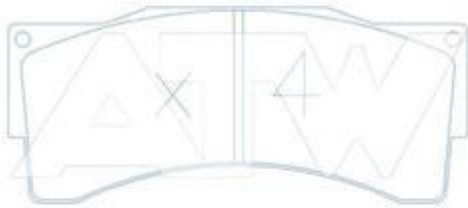
Miscela - Compound
HP

L: 163 mm
H: 69,2 mm
TH: 25 mm

Codice - Code
ATW0285

Miscela - Compound
RC

L: 163 mm
H: 69,2 mm
TH: 25 mm



Codice - Code
ATW0286

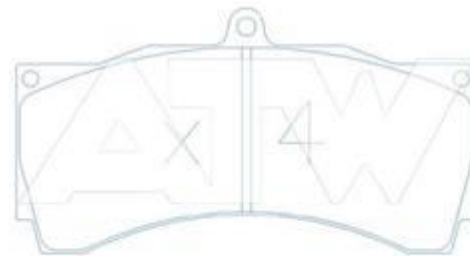
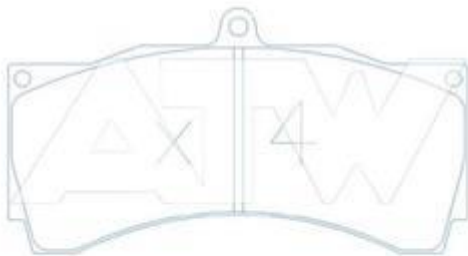
Miscela - Compound
HP

L: 151,9 mm
H: 80,9 mm
TH: 18 mm

Codice - Code
ATW0286

Miscela - Compound
RC

L: 151,9 mm
H: 80,9 mm
TH: 18 mm



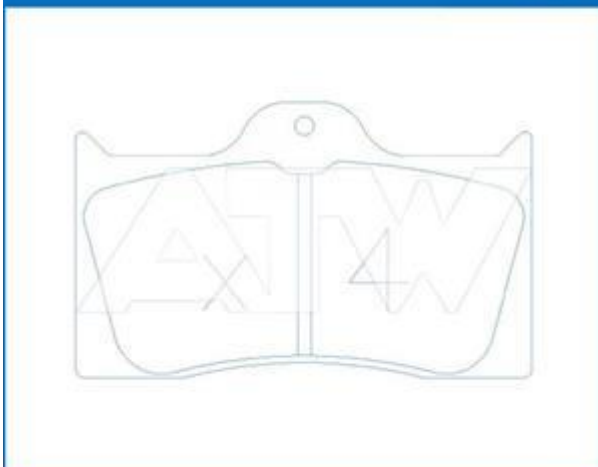
Codice - Code **ATW0287** Mescola - Compound **HP** L: 151,9 mm H: 80,9 mm TH: 25 mm Codice - Code **ATW0287** Mescola - Compound **RC** L: 151,9 mm H: 80,9 mm TH: 25 mm



Codice - Code **ATW0288** Mescola - Compound **HP** L: 133,3 mm H: 61,2 mm TH: 20 mm Codice - Code **ATW0288** Mescola - Compound **RC** L: 133,3 mm H: 61,2 mm TH: 20 mm



Codice - Code **ATW0289** Mescola - Compound **HP** L: 100,4 mm H: 60,4 mm TH: 12,5 mm Codice - Code **ATW0289** Mescola - Compound **RC** L: 100,4 mm H: 60,4 mm TH: 12,5 mm



<p>Codice - Code ATW0290</p> <p>Miscela - Compound HP</p> <p>L: 137,7 mm H: 60,9 mm TH: 17,5 mm</p>	<p>Codice - Code ATW0291</p> <p>Miscela - Compound HP</p> <p>L: 100,6 mm H: 56 mm TH: 12,5 mm</p>
---	---



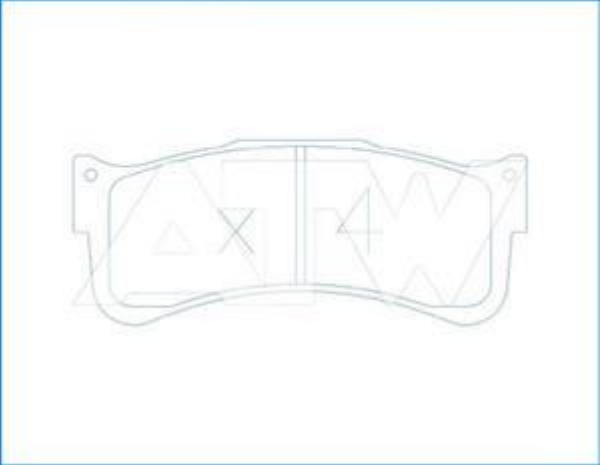
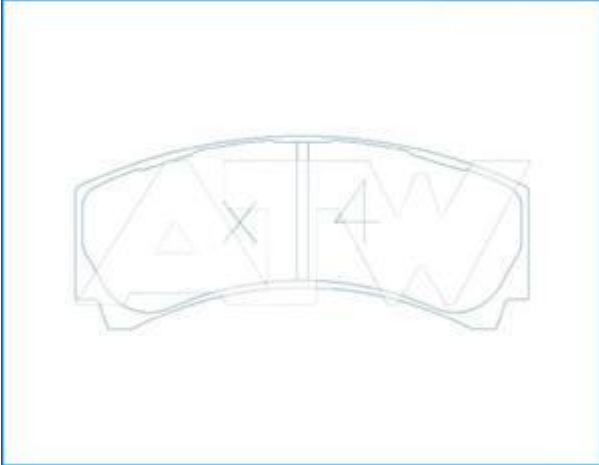
<p>Codice - Code ATW0291</p> <p>Miscela - Compound RC</p> <p>L: 100,6 mm H: 56 mm TH: 12,5 mm</p>	<p>Codice - Code ATW0292</p> <p>Miscela - Compound HP</p> <p>L: 100,6 mm H: 56 mm TH: 15 mm</p>
---	---



<p>Codice - Code ATW0292</p> <p>Miscela - Compound RC</p> <p>L: 100,6 mm H: 56 mm TH: 15 mm</p>	<p>Codice - Code ATW0293</p> <p>Miscela - Compound HP</p> <p>L: 131,8 mm H: 56 mm TH: 17 mm</p>
---	---



Codice - Code Mescola - Compound L: 131,8 mm Codice - Code Mescola - Compound L: 163,3 mm
H: 56 mm ATW0294 HP H: 66,5 mm
TH: 17 mm TH: 25 mm



Codice - Code Mescola - Compound L: 163,3 mm
H: 66,5 mm
TH: 25 mm

